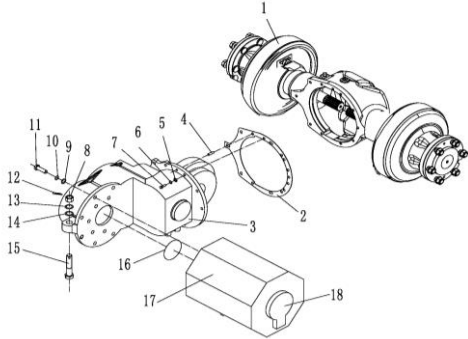
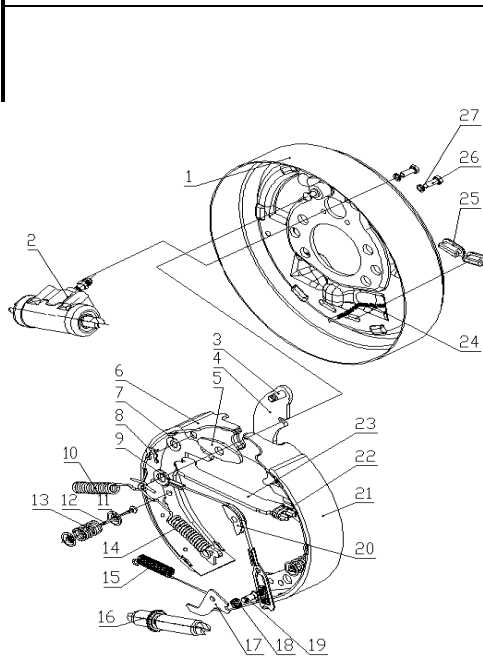


252198501001 传动系统/Drive system

序号/NO	编码/SN	Name	名称	数量/Qty	备注/Remark
1	254113515001	Drive axle(AQ)	驱动桥(AQ)	1	16-20QC选装/Optional
	254113510001	Drive axle(DW)	驱动桥(DW)	1	16-20QC选装/Optional
	254113512001	Drive axle(KD)	驱动桥(KD)	1	16-20QC选装/Optional
	252113513001	Drive axle(KDYC)-14QC	驱动桥总成(KDYC)	1	14QC专用/20QC永磁
	252113510011	Drive axle(DC)	驱动桥总成(电磁制动)	1	电磁制动专用
2	255013520005	Seal washer	密封垫	1	
	255013520005	Seal washer-14QC	密封垫-14QC	1	14QC专用
3	255014010002	Gear box (ZN)	变速箱(ZN)	1	16-20QC选装/Optional
	255014012002	Gear box (JD)	减速箱总(JD)	1	16-20QC选装/Optional
	252114013002	Gear box (JD)-14QC	变速箱(JD)-14QC	1	14QC专用
4	910600100021	Dowel pin GB119.2-8x25	圆柱销GB119.2-8x25	1	
5	910400100007	Washer GB97.1-10-200HV	平垫圈GB97.1-10-200HV	12	
6	910400500007	Washer GB93-10	弹簧垫圈GB93-10	12	
7	910100400004	Bolt GB5786-M10x1.25x30-8.8	螺栓GB5786-M10x1.25x30-8.8	12	
8	910300900002	Nut GB6178-M20-8	螺母GB6178-M20-8	1	
9	910400100009	Washer GB97.1-14-200HV	平垫圈GB97.1-14-200HV	5	
10	910400500009	Washer GB93-14	弹簧垫圈GB93-14	5	
11	910100200010	Bolt GB5785-M14x1.5x50-8.8	螺栓GB5785-M14x1.5x50-8.8	5	
12	910600600037	Split pin GB91-4x40	开口销GB91-4x40	1	
13	910400500012	Washer GB93-20	弹簧垫圈GB93-20	9	
14	910400100012	Washer GB97.1-20-200HV	平垫圈GB97.1-20-200HV	1	
15	910100500006	Bolt GB31.1-M20x90-8.8	螺栓GB31.1-M20x90-8.8	1	
16	910800100020	O ring 90x2.65	O形圈-内90x2.65	1	
17	920900100044	Motor (HP)	电机(HP)	1	16-20QC选装/Optional
	920900100053	Motor (WN)	电机(WN)	1	16-20QC选装/Optional
	252132011001	Motor HPQ3.9-48NL	电机(交流)HPQ3.9-48NL	1	14QC专用
18	255098513251	Encoder (HP)	编码器(HP)	1	选装/Optional
	255098513253	Encoder (WN)	编码器(WN)	1	选装/Optional

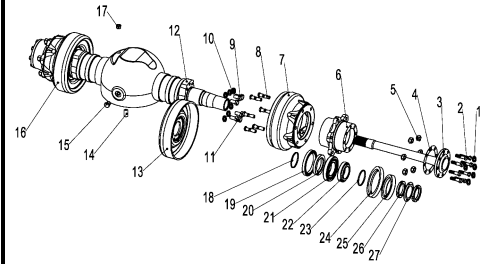


254198501005 制动器总成(AQ)/Brake assembly (AQ)



序号/NO	编码/SN	Name	名称	数量/QTY	备注/Remark
A	254198523572	Left brake assy 21233-70301	左制动器总成21233-70301	1	左制动器-图示左
	254198523575	Right brake assembly 21233-70201	右制动器总成21233-70201	1	右制动器
1	254198523001	Bottom plate assembly, left brake21233-70010G-L	左制动器底板总成21233-70010G-L	1	用于左制动器
1	254198523002	Bottom plate assembly, right brake21233-70010G-R	右制动器底板总成21233-70010G-R	1	用于左制动器
2	254198513505	Brake sub pump assembly 21233-70080G	制动分泵总成21233-70080G	1	左右通用
3	254198523004	Draw-rod pin 21233-70400G	拉杆销21233-70400G	1	左右通用
4	254198523005	Left hand brake pull rod 21233-70370G-L	左手制动拉杆21233-70370G-L	1	用于左制动器
4	254198523006	Right hand brake pull rod 21233-70370G-R	右手制动拉杆21233-70370G-R	1	用于右制动器
5	254198523007	Guide plate 21233-70410G	导向板21233-70410G	1	左右通用
6	254198513509	Brake shoe with friction plate assembly 21233-70150G	制动蹄带摩擦片总成21233-70150G	1	左右通用
7	254198523009	Elastic gasket 24433-70160G	弹性垫片24433-70160G	1	左右通用, 借用3T
8	254198523010	Elastic gasket 24433-70170G	杆销挡圈24433-70170G	1	左右通用, 借用3T
9	254198523011	Spring wire pulling device 21233-70260G	弹簧拉线装置21233-70260G	1	左右通用
10	254198523012	Left front brake shoe return spring 21233-70320G-L	左前制动蹄四位弹簧 21233-70320G-L	1	用于左制动器
11	254198523013	Pressure spring seat 21233-70430G	压簧座21233-70430G	4	左右通用
12	254198523014	Compression spring rod 21233-70420G	压簧拉杆21233-70420G	2	左右通用
13	254198523015	Compression spring 21233-70440G	压簧21233-70440G	2	左右通用
14	254198523016	Left rear brake shoe return spring 21233-70321G-L	左后制动蹄四位弹簧 21233-70321G-L	1	用于左制动器
14	254198523017	Right rear brake shoe return spring 21233-70321G-R	右后制动蹄四位弹簧 21233-70321G-R	1	用于右制动器
15	254198523018	Lower tension spring 21233-70350G	下拉簧21233-70350G	1	左右通用
16	254198523019	Left gap adjuster assembly 21233-70210G-L	左间隙调整器总成21233-70210G-L	1	用于左制动器
17	254198523020	pawl 21233-70340G	棘爪21233-70340G	1	左右通用
18	254198523021	Left-hand twist spring 21233-70360G-L	左扭簧21233-70360G-L	1	用于左制动器
19	254198523022	Torsional spring pin 21233-70310G	扭簧销21233-70310G	1	左右通用
20	254198523023	Guide block 21233-70330G	导向块21233-70330G	1	左右通用
21	254198513510	Left brake shoe with friction plate and spring pin assembly 21233-70151G-L	左制动蹄带摩擦片及扭簧销总成 21233-70151G-L	1	用于左制动器
21	254198523025	Right brake shoe with friction plate and spring pin assembly 21233-70151G-R	右制动蹄带摩擦片及扭簧销总成 21233-70151G-R	1	用于右制动器
22	254198523026	Push rod spring 21233-70390G	推杆弹簧21233-70390G	1	左右通用
23	254198523027	Hand brake push rod 21233-70380G	手制动推杆21233-70380G	1	左右通用
24	254198513503	Left brake cable assembly 0C11246-1460	左制动钢索总成0C11246-1460	1	用于左制动器
24	254198513504	Right brake cable assembly 0C11246-1790	右制动钢索总成-0C11246-1790	1	用于右制动器

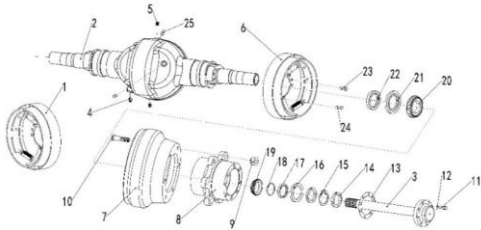
252198501002驱动桥(DW)/Drive axle(DW)



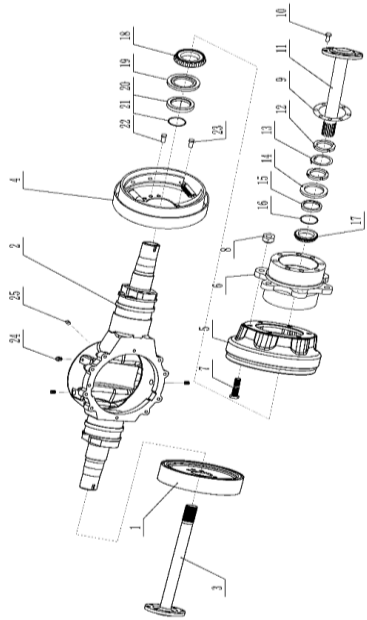
序号/NO	编码/SN	Name	名称	数量/QTY	备注/Remark
1	910400500008	Spring washerGB93-12	弹簧垫圈GB93-12	16	254113510001
2	254198523502	Half shaft Bolt	螺栓M12X1.25	16	254113510001
3	254198523522	Half shaft	半轴E15010 210002	2	254113510001
4	254198523521	Half shaft seal washer	半轴垫E15010 210002	2	254113510001
5	253098526041	Rim nut	轮毂螺母E15010 210002	12	254113510001
6	254198523519	Hub	轮毂E15010 210002	2	254113510001
7	254198523512	Brake drum	制动鼓24233-02011	2	254113510001
8	254198523520	Hub connecting bolt	轮毂螺栓23654-32042C	12	254113510001
9	254198523510	Brake bolt	制动器螺栓23453-72031	4	254113510001
10	910400500009	Spring washerGB93-14	弹簧垫圈GB93-14	12	254113510001
11	254198523511	Brake bolt	制动器螺栓23654-32042C	8	254113510001
12	254198523505	axle housing	桥壳E15010 210001	1	254113510001
13	254198513501	Right brake assembly	右制动器总成REF00576	1	254113510001
14	254198523525	Pin 8X20	销8X20	1	254113510001
15	254198523503	Air hole assembly	通气塞总成E15010 210014	1	254113510001
16	254198513508	Left brake assembly	左制动器总成REF00576	1	254113510001
17	255098523504	Blocking	堵塞Z0100-10012W	3	254113510001
18	254198523526	O-ring	O形密封圈	2	254113510001
19	254198523516	Oil seal SD125X100X12	油封SG125X100X12-Z0100-10012W	2	254113510001
20	254198523506	separate cover	轴承挡圈22513-02051	2	254113510001
21	254198523513	Bearing 32012	轴承油封总成33012A(22513-02051)	2	254113510001
22	254198523514	Bearing 30213	轴承30213E	2	254113510001
23	254198523527	O-ring D60x2.65	O形圈D60x2.65	2	254113510001
24	254198523528	Oil seal 95X75X10	骨架油封95X75X10	2	254113510001
25	254198523515	Oil seal ring	油封挡圈	2	254113510001
26	255098523507	Little round nut	圆螺母M6OX2	4	254113510001
27	254198523509	round nut Brake gasket	圆螺母制动垫圈d=60	2	254113510001

252198501004驱动桥 (KD) /Drive axle (KD)

序号/NO	编码/SN	Name	名称	数量/QTY	备注/Remark
A	254113512001	axle assembly	驱动桥总成FE-2300000-09	1	
1	254198523572	Left brake assembly	左制动器总成21233-70301	1	254113512001
2	254198523541	axle housing	驱动桥壳FE-2301101-01	1	254113512001
3	254198523542	Half shaft	半轴FE-2303101-01	2	254113512001
4	254198523543	Air hole assembly	透气塞H-2301301-00	1	254113512001
5	254198523544	Blocking	堵塞H-1701104-00	3	254113512001
6	254198523575	Right brake assembly	右制动器总成21233-70201	1	254113512001
7	254198523546	Brake drum	制动鼓F-3103103-00	2	254113512001
8	254198523547	Hub	轮毂F-3103101-00	2	254113512001
9	254198523548	Hub nut	轮毂螺母F-3103110-00	12	254113512001
10	254198523549	Hub connecting bolt	轮毂螺栓F-3103106-00	12	254113512001
11	254198523550	Half shaft Bolt	半轴螺栓H-2303107-00	16	254113512001
12	910400500008	Spring washerGB93-12	弹垫GB93-12	16	254113512001
13	254198523552	Half shaft seal washer	半轴垫FE-2303106-01	2	254113512001
14	254198523553	Round nut	圆螺母GB810-M60x2	4	254113512001
15	254198523554	round nut Brake gasket	圆螺母止动垫圈GB/T858-60	2	254113512001
16	254198523555	Oil seal 75X100X10	油封GB9877.1-75x100x10	2	254113512001
17	254198523556	Oil seal ring	小油封挡圈H-3103109-00	2	254113512001
18	254198523557	O-ring D65x3.1	O型圈GB1235-D65x3.1	2	254113512001
19	910700600020	Bearing 32012	圆锥滚子轴承GB297-32012	2	254113512001
20	910700600021	Bearing 30213	圆锥滚子轴承GB297-30213	2	254113512001
21	254198523560	Oil seal SD100X125X12	油封GB9877.1-100x125x12	2	254113512001
22	254198523561	separate cover	大油封挡圈F-3103102-00	2	254113512001
23	254198523562	Brake bolt	制动器定位螺栓H-3501301-00	4	254113512001
24	254198523563	Brake bolt	制动器紧固螺栓H-3501302-00	8	254113512001
25	910600100046	Pin Φ8x20	圆柱销GB119-Φ8x20	1	254113512001

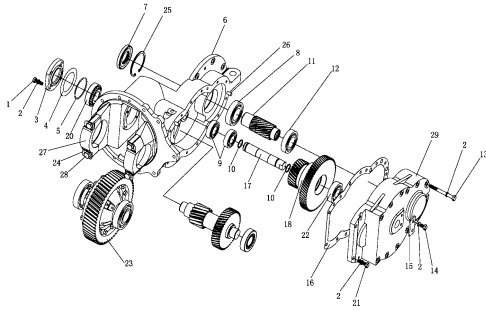


252198501006驱动桥(永磁)-14QC(KD) /Drive axle-14QC(KD)



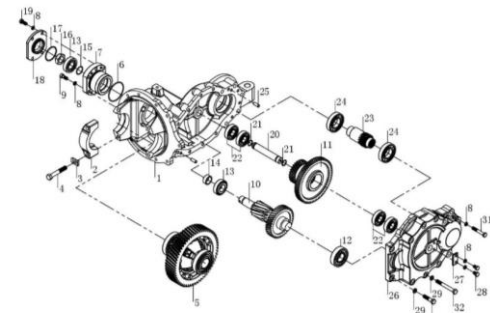
序号/NO	编码/SN	Name	名称	数量/QTY	备注/Remark
A	252113513001	Axle assembly	驱动桥总成(KDYC)	1	14QC/20QC永磁
1	254198523540	Left brake assembly	左制动器Q15KD009	1	
2	252198523501	axle housing	桥壳FE-2301101-06	1	
3	252198523502	Left half shaft	左半轴FE-2303101-06	2	
4	254198523545	Right brake assembly	右制动器Q15KD008	1	
5	254198523546	Brake drum	制动鼓Q15KD002	2	
6	254198523547	Hub	轮毂Q15KD003	2	
7	254198523549	Hub connecting bolt	轮毂螺栓Q15KD006	12	
8	254198523548	Hub nut	轮毂螺母Q15KD007	12	
9	254198523552	Half shaft seal washer	半轴垫Q15KD004	2	
10	254198523550	Half shaft Bolt	半轴螺栓Q30KD009	16	
11	252198523503	Right half shaft	右半轴FE-2303102-06	16	
12	254198523553	Round nut	圆螺母M60X2	4	
13	254198523554	round nut Brake gasket	圆螺母制动垫圈60	2	
14	254198523555	Oil seal 75X100X10	油封75X100X10	2	
15	254198523556	Oil seal ring	小油封挡圈Q30KD005	2	
16	254198523557	O-ring D65x3.1	O形圈D65x3.1	2	
17	254198523558	Bearing 32012	圆锥滚子轴承32012	2	
18	254198523559	Bearing 30213	圆锥滚子轴承30213	2	
19	254198523560	Oil seal SD125X100X12	油封100X125X12	2	
20	254198523561	separate cover	大油封挡圈K15KD012	2	
21	252198523504	O-ring D67x3.1	O形圈D67x3.1	2	
22	254198523562	Brake bolt	制动器定位螺栓Q30KD016	8	
23	254198523563	Brake bolt	制动器螺栓Q30KD017	4	
24	254198523543	Air hole assembly	透气塞Q30KD015	1	
25	254198523544	Blocking	堵塞Q30DK014	3	

252198501007 变速箱 (ZN) /Gear box (ZN)



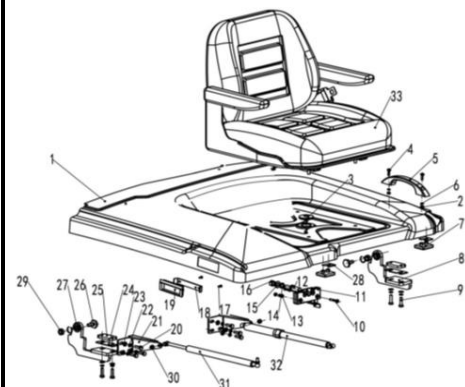
序号/NO	编码/SN	Name	名称	数量/QTY	备注/Remark
1	910100300036	Bolt	螺栓M10X25	4	
2	910400500007	Spring washer	弹簧垫圈10	20	
3	255098524003	Bearing cap	轴承盖	1	
4	255098524004	Spacer	垫片	4	
5	910800100032	O seal ring	O形密封圈75X3. 1	1	
6	255098524006	Box	箱体	1	
7	255098524007	Oil seal	油封TC45X85X10	1	
8	910700200024	Bearing6209	深沟球轴承6209	1	
9	910700200021	Bearing6206	深沟球轴承6206	3	
10	255098524010	O-ring	O形密封圈25X2. 65	2	
11	255098524011	Input shaft assembly	输入轴组件	1	
12	910700200023	Bearing6208	深沟球轴承6208	1	
13	910100100125	Bolt M10X100	螺栓M10X100	12	
14	910100300034	Bolt M10X16	螺栓M10X16	2	
15	255098524017	Stop dog	挡块	1	
16	255098524019	Paper pad	纸垫	1	
17	255098524020	axle	轴	1	
18	255098524021	Gear	双联齿轮	1	
19	255098524022	Gear assembly	齿轴组件	1	
20	255098524023	Bearing32207	圆锥滚子轴承32207	2	
21	910100300038	Bolt M10X35	螺栓M10X35	2	
22	255098524042	Bearing 6306	深沟球轴承6306	1	
23	255098524043	Differential assembly	差速器总成	1	
24	255098524027	Locking plate	锁片	4	
25	255098524044	Hole with elastic retainer 85	孔用弹性挡圈85	1	
26	910600100013	Pin6X20	圆柱销6X20	2	
27	255098524025	Bearing seat	轴承座	2	
28	255098524026	Bolt	螺栓	4	
29	255098524018	Box cover	箱盖	1	

252198501009变速箱(JD)/Gear box (JD)

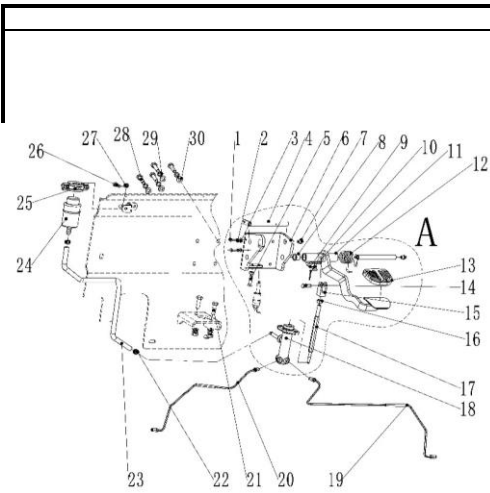


序号/NO	编码/SN	Name	名称	数量/QTY	备注/Remark
A	255014012002	Gear box assembly	减速箱总成	1	
1	254198524001	Box	箱体HDCS25-2-0101	1	
2	254198524002	Bearing pedestal	轴承座YQX25-0101	2	
3	254198524003	Lock plate	锁片YQX25-0004	4	
4	254198524004	Box	螺栓YQX30-0101	4	
5	254198524005	Differential assembly	差速器总成HDCS25-1000	1	
6	254198524006	O-ring 85x3.1	O形密封圈85×3.1 GB1235-76	1	
7	254198524007	Bearing pedestal	轴承座HDCS25-0001	1	
8	254198524008	Spring washer 10	弹簧垫圈10 GB93-87	16	
9	254198524009	Bolt M10x25	螺栓M10×25 GB70-86	6	
10	254198524010	Twin gear shaf	齿轴HDCS25-0400	1	
11	254198524011	Twin gear	双联齿轮HDCS25-0300	1	
12	254198524012	Bearing NJ307E	轴承NJ307E GB283-94	1	
13	254198524013	Bearing 32206	轴承32206 GB297-94	2	
14	254198524014	Bush	衬套HDCS25-0005	1	
15	254198524015	Adjustable pad	调整垫HDCS25-0006	按需	
16	254198524016	Locknut	锁紧螺母HDCS25-0004	1	
17	254198524017	O-ring 62x3.1	O形密封圈62×3.1 GB1235-76	1	
18	254198524018	End cover	端盖HDCS25-0003	1	
19	254198524019	Bolt M10x1.25x25	螺栓M10×1.25×25 GB5783-86	4	
20	254198524020	Axle	轴HDCS25-0007	1	
21	254198524021	O-ring 30x2.4	O型密封圈30×2.4 GB1235-76	2	
22	254198524022	Bearing 6206/p5	轴承6206/p5 GB276-94	4	
23	254198524023	Input gear	输入齿轮HDCS25-0201	1	
24	254198524024	Bearing 6208	轴承6208 GB276-94	2	
25	254198524025	Pin B10x28	销B10×28 GB119-86	2	
26	254198524026	Case cover	箱盖HDCS25-0002	1	
27	254198524027	Batter board	定位板HDCS20-0007	1	
28	254198524028	Bolt M10x1.25x15	螺栓M10×1.25×15 GB5786-86	2	
29	254198524029	Spring washer 12	弹簧垫圈12 GB93-87	8	
30	254198524030	Bolt M12x1.25x50	螺栓M12×1.25×50 GB5785-86	2	

252198501016 电瓶箱盖/Battery box cover



序号/NO	编码/SN	Name	名称	数量/QTY	备注/Remark
1	252121011002	Welding of box cover (20Q lithium)	箱盖焊合(20Q锂电)	1	老款选装
1	252121012002	Case cover welding (20Q lead acid)	箱盖焊合(20Q铅酸)	1	
2	910300100005	Nut GB6170-M6-10	螺母GB6170-M6-10	6	
3	255021020046	To protect the coil	护线圈	1	
4	910200500053	Screw GB818 M6x20-4.8	螺钉 GB818-M6x20-4.8	1	
5	255021020020	Shake handhandle	拉手	1	
6	910400500005	Spring washers GB93-6	弹垫 GB93-6	4	
7	255021020068	Damping pad	减振垫	2	
8	255021010005	Hinge bracket (left)	铰链支架(左)	1	
9	910100300024	Bolt GB5783 M8x30-8.8	螺栓 GB5783-M8x30-8.8	4	
10	910200200041	Screw GB70.1 M6x40-4.8	螺钉 GB70.1-M6x40-4.8	3	
11	255021010010	The lid lock	顶盖锁	1	
12	255021020052	The lock tongue	锁舌	1	
13	910400100005	Washer GB97.1-6-200HV	平垫 GB97.1-6-200HV	2	
14	910400500008	Spring washer GB93-12	弹垫 GB93-12	1	
15	910400100008	Washer GB97.1-12-200HV	平垫GB97.1-12-200HV	1	
16	910300100008	Nut GB6170 - M12-10	螺母 GB6170-M12-10	1	
17	910200500021	Screw GB818 M4x10-4.8	螺钉 GB818-M4x10-4.8	2	
18	255021020055	Fixed plate	固定板	1	
19	255021020021	The shake handhandle	内拉手	1	
20	910100300023	Bolt GB5783 M8x25-8.8	螺栓 GB5783-M8x25-8.8	6	
21	255021020047	Air spring support	气弹簧支架	2	
22	910400500006	Spring washer GB93-8	弹垫 GB93-8	10	
23	910400100006	Washer GB97.1-8-200 hv	平垫 GB97.1-8-200HV	10	
24	255021020054	Adjust the pad	调整垫	2	
25	255021020045	Wire plate	丝座板	2	
26	255021020043	Reaming hole bolt M10x28	铰制孔螺栓M10x28	2	
27	255021010006	Hinge bracket (right)	铰链支架(右)	2	
28	255021020071	Adjust the gasket	调整垫片	2	
29	910700900001	Bearing GB9163-GE12E	轴承GB9163-GE12E	2	
30	910300100006	Nut GB6170 M8-10	螺母 GB6170-M8-10	2	

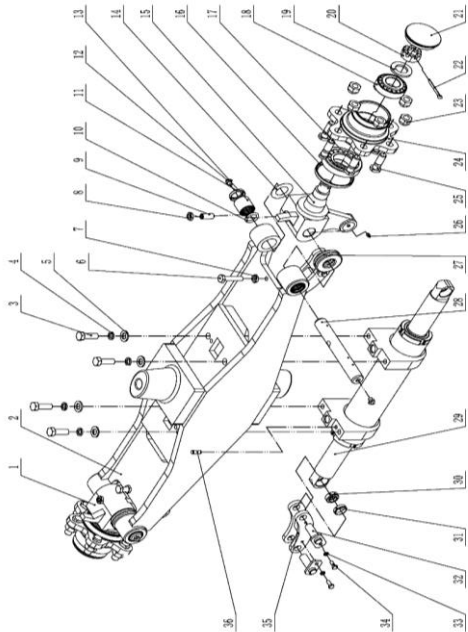


252198501022 脚制动操纵/Foot brake

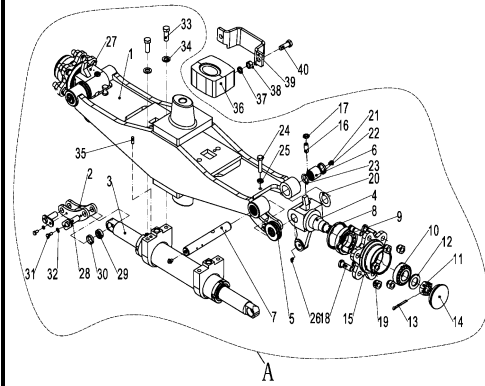
序号/NO	编码/SN	Name	名称	数量/QTY	备注/Remark
A	256811510005	脚制动总成	Service brake assembly	1	含1-18
1	910100300010	螺栓GB5783-M6x16-8.8	Bolt GB5783-M6x16-8.8	2	
2	910400500005	弹簧垫圈GB93-6	Spring washer GB93-6	2	
3	910400100005	平垫圈GB97.1-6-200HV	Washer GB97.1-6-200HV	2	
4	255011510003	带耳轴Φ16x135	Axle Φ16x135	2	
5	910100300024	螺栓GB5783-M8x30-8.8	Bolt GB5783-M8x30-8.8	1	
6	256811511004	脚制动支架焊接	Foot brake holder welding	1	
7	911200100004	油杯JB7940.1-M10x1	grease fitting JB7940.1-M10x1	2	
8	940500100006	复合套Φ16xΦ18x15-SF-1	Composite set Φ16xΦ18x15-SF-1	1	
9	910600600019	开口销GB91-2.5x25	Cotter pin GB91-2.5x25	2	
10	255011520010	缓冲垫	Damping pad	1	
11	256811511002	制动踏板焊接	Brake pedal welded	1	
12	251211521008	扭簧	Spring	1	
13	255011520013	踏板(橡胶)	Pedal (rubber)	1	
14	910600700042	销轴GB882-B10x26x3.2	Pin GB882-B10x26x3.2	1	
15	256811521022	挺杆连接块	Tappet connecting block	1	
16	910300100007	螺母GB6170-M10-10	Nut GB6170-M10-10	3	
17	256811521021	制动泵挺杆	Brake pump tappet	1	
18	255011510007	制动总泵	brake master cylinder	1	
19	252111512009	右制动钢管	Brake steel pipe welding	1	
20	252111512010	左制动钢管	Brake steel pipe welding	1	
21	910100300038	螺栓GB5783-M10x35-8.8	Bolt GB5783-M10x35-8.8	2	
22	911000600001	喉箍QC/T390-(11-14)	Hose clamp QC/T390-(11-14)	2	
23	900200301005	软管9x2.5	Tube 9x2.5	1	
24	275011520020	制动油杯	Brake oil cup	1	
25	256811511020	制动液杯抱箍	Brake fluid cup collar	1	
26	910200200058	螺钉GB70.1-M8x25-8.8	Screw GB70.1-M8x25-8.8	1	
27	910300100006	螺母GB6170-M8-10	Nut GB6170-M8-10	2	
28	910100300039	螺栓GB5783-M10x40-8.8	Bolt GB5783-M10x40-8.8	4	
29	910400500007	弹簧垫圈GB93-10	Spring washer GB93-10	6	
30	910400100007	平垫圈GB97.1-10-200HV	Washer GB97.1-10-200HV	6	

254198501028 转向桥及安装(AQ)/Steering axle and installation (AQ)

序号/NO	编码/SN	Name	名称	数量/QTY	备注/Remark
A	254116015001	1.5T steering axle(AQ)	1.5T转向桥(AQ)	1	254116015001
1	254198525001	Left knuckle H12C4-30401	左转向节H12C4-30401	1	254116015001
2	254198525002	steering axle H12C4-30202	转向桥总成H12C4-30202	1	254116015001
3	910100300052	Bolt M12X35	螺栓M12x35/白锌B0330-12035B	4	254116015001
4	910400500008	Spring washer GB93-12	弹垫12/白锌B5050-00012B	4	254116015001
5	910400100008	Washer 12 B5313-00012B	平垫12/白锌B5313-00012B	4	254116015001
6	910100400006	Bolt M10x1.25x40	螺栓M10x1.25x40/白锌B0530-10040	2	254116015001
7	910300200002	Nut M10x1.25	螺母M10x1.25/白锌B4223-00010B	2	254116015001
8	910300100008	Nut M12	螺母M12/白锌B4133-00012B	2	254116015001
9	255098526017	Strict bolt	内六角锥端紧定螺钉M12X30/白锌B8	2	254116015001
10	254198525003	O-ring 24234-32241	O型圈24234-32241	2	254116015001
11	254198525004	Oil seal 24234-32231	油封24234-32231	4	254116015001
12	253098526025	Grease nipple (90°)	油嘴Q701B45	4	254116015001
13	254198526073	Bearing 942/25	滚针轴承942/25	4	254116015001
14	254198525005	Steering knuckle adjustment pad2011	转向节调整垫20114-30091	5	254116015001
15	254198525006	Right knuckle assy H12C4-30301	右转向节总成H12C4-30301	1	254116015001
16	254198525007	Skeleton oil seal 22574-32102	骨架油封22574-32102	2	254116015001
17	254198526011	Bearing 30208	圆锥滚子轴承30208	2	254116015001
18	254198526012	Bearing 30206	圆锥滚子轴承Z-30206	2	254116015001
19	254198525008	Washer 24-G15X4-32111	垫圈24-G15X4-32111	2	254116015001
20	254198525009	Slotted nut M24X2-24234-32311	开槽螺母M24X2-24234-32311	2	254116015001
21	254198525010	Wheel hub cover 22194-32361N	轮毂盖22194-32361N	2	254116015001
22	254198525011	Pin 5x40-B3010-05040	开口销5x40-B3010-05040	2	254116015001
23	254198525012	Hub nut 23654-34051B	轮毂螺母/白锌23654-34051B	12	254116015001
24	254198525013	Steering hub 24234-32221	转向轮毂24234-32221	2	254116015001
25	254198525014	Hub bolts 23654-32041B	轮毂螺栓/白锌23654-32041B	12	254116015001
26	253098526019	Grease nipple	直通油嘴Q700B06	4	254116015001
27	254198526005	Bearing198905	单向推力轴承198905	2	254116015001
28	254198525015	King Pin 24234-32181A	主销24234-32181A	2	254116015001
29	254198525016	Steering cylinder assembly H12C4-50301CQ	转向油缸总成H12C4-50301CQ	1	254116015001
30	254198526027	Joint bearing GE15ES	向心关节轴承GE15ES	4	254116015001

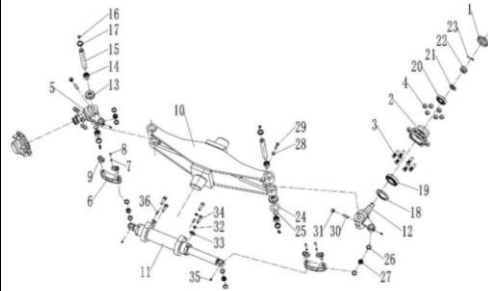


252198501026 转向桥及安装(DW)/Steering axle and installation (DW)



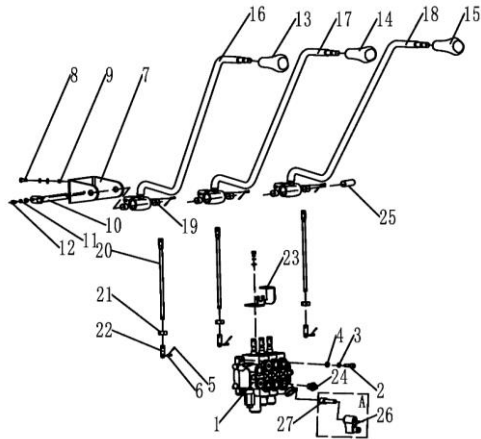
序号/NO	编码/SN	Name	名称	数量/QTY	备注/Remark
A	254116010001	1.5T steering axle	1.5T转向桥	1	
1	254198526001	Steering bridge assembly	转向桥体总成	1	
2	254198526002	Linking rod	连杆	2	
3	254198516003	Steering cylinder assembly	转向油缸总成	1	
4	254198526020	Right knuckle	右转向节H12C4-30301	1	202410.18改编码
5	254198526005	Bearing198905	单向推力轴承198905	2	
6	254198526006	Bearing 943/25	滚针轴承943/25	2	
7	254198526007	Pin	转向节主销	2	
8	254198526009	framework seal ring	骨架油封	2	
9	254198526011	Bearing 30208	轴承30208	2	
10	254198526012	Bearing 30206	轴承30206	2	
11	254198526013	Hexagonal groove nut M24x2	螺母M24x2	2	
12	910400100014	Washer GB97.1-24-200HV	垫圈24	2	
13	910600600038	Pin 5x50	销5x50	2	
14	254198526015	Wheel hub cover	轮毂盖	2	
15	254198526016	Steering wheel hub	转向轮毂	2	
16	255098526017	Strict bolt	内六角锥端紧定螺钉M12X30	2	
17	910300100008	Nut GB6170-M12-10	螺母M12	2	
18	254198526040	Rim Bolt	轮毂螺栓	12	
19	254198526041	Rim Nut(M14X1.5)	轮毂螺母	12	
20	254198526010	Pad	转向节调整垫	4	
21	253098526025	Grease nipple (90°)	弯颈式油嘴Q701B45	2	
22	254198516023	Oil seal	铁壳油封	4	
23	O ring	O型圈	2		
24	910100300039	Bolt M10X40	螺栓M10x40	2	
25	910300100007	Nut GB6170-M10-10	螺母M10	12	
26	253098526019	Grease nipple	直通油嘴Q700B06	4	
27	254198526004	Left knuckle	左转向节H12C4-30401	1	202410.18改编码
28	254198526026	Linking pin	连杆销	4	
29	254198526027	Joint bearing GE15ES	关节轴承GE15ES	4	
30	254198526018	Bushing	衬套	4	

252198501028 转向桥及安装(KD)/Steering axle and installation(KD)



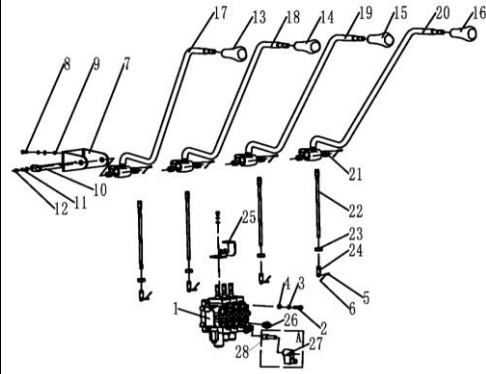
序号/NO	编码/SN	Name	名称	数量/QTY	备注/Remark
A	254116013001	1.5T steering axle(KD)	1.5T转向桥(KD)	1	
1	254198526063	Wheel hub cover	轮毂盖F-3103204-00	2	
2	254198526062	Steering wheel hub	轮毂F-3103201-00	2	
3	254198526070	Rim Bolt	轮毂螺栓H-3103202-00	12	
4	254198526071	Rim Nut	轮毂螺母F-3103110-00	12	
5	254198526050	Left steering knuckle	左转向节总成F-2404100-00	1	
6	254198526051	Linking rod	连杆F-3412100-00	2	
7	910400500006	Spring washer GB93-8	弹垫GB93-8	4	
8	910100300019	Bolt M8X12	螺栓GB5783-M8x12	4	
9	254198526080	Linking pin	连杆销Φ15F-3412201-00	4	
10	254198526052	Steering axle assembly	转向桥体总成FE-2401100-01	1	
11	254198526053	Steering cylinder assembly	转向油缸总成CZ056040KDH	1	
12	254198526075	Right steering knuckle	右转向节总成F-2404200-00	1	
13	254198526074	Bearing	推力轴承198905 F-3412303-	2	
14	254198526073	Needle Bearing 942/25	滚针轴承GB290-942/25	2	
15	254198526072	Pin	主销F-2404102-00	2	
16	254198526058	Grease nipple (90°)	90° 油嘴GB7940.2-PT1/8	4	
17	254198526055	framework seal ring	防尘圈 F-3412312-00	4	
18	254198526069	framework seal ring	铁壳油封GB9877.1-64*82*7	2	
19	254198526068	Bearing 30208	圆锥滚子轴承GB/T297-30208	2	
20	254198526067	Bearing 30206	圆锥滚子轴承GB/T297-30206	2	
21	254198526065	Washer 24	垫片GB95-24	2	
22	254198526064	Hexagonal groove nut M24x2	槽螺母M24x2 H-3103207-01	2	
23	254198526066	Pin 5x50	开口销GB/T91-5x50	2	
24	254198526054	Pad	转向节调整垫 F-2404103-00	2	
25	254198526059	O ring D32x3.5	O型圈GB1235-D32x3.5	2	
26	254198526084	Bushing	衬套 F-3412301-00	4	
27	254198526083	Joint bearing GE15ES	关节轴承GE15ES F-3412309-	4	
28	910100400006	Bolt M10x1.25x40	螺栓GB5786 M10x1.25-40	2	
29	910300200002	Nut GB6171-M10x1.25	螺母GB/T 6171-M10x1.25	2	
30	254198526060	Screw M12x35	紧定螺钉GB78-M12x35	2	

252198501033 多路换向阀操纵(三联)/Multiple directional control valve (trigeminy)



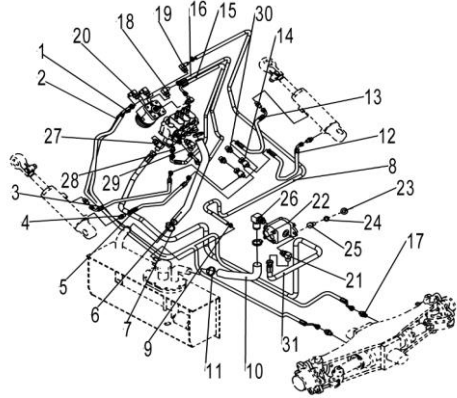
序号/NO	编码/SN	Name	名称	数量/QTY	备注/Remark
1	252025010011	多路阀(三联)	Multiple valve(three)	1	
1	256825011002	多路阀(3联电磁阀ZSX)	Multi way valve (three) solenoid va	1	CE选配
2	910100400006	螺栓GB5786-M10x1.25x40-8.8	Bolt GB5786-M10x1.25x40-8.8	4	
3	910400500007	弹簧垫圈GB93-10	Spring washer GB93-10	8	
4	910400100007	平垫圈GB97.1-10-200HV	Washer GB97.1-10-200HV	12	
5	941100800001	销轴B4.75x20-c1B	Pin B4.75x20-c1B	6	
6	910600600011	开口销GB91-2x12	Cotter pin GB91-2x12	6	
7	252124520002	支架(阀杆)	Support (stem)	1	
8	910100300037	螺栓GB5783-M10x30-8.8	Bolt GB5783 M10x30-8.8	4	
9	910300100007	螺母GB6170-M10-10	Nut GB6170-M10-10	4	
10	255024510009	带耳轴Φ16x168	With trunnion Φ16x168	1	
11	910400500005	弹簧垫圈GB93-6	Spring washer GB93-6	1	
12	910200200032	螺钉GB70.1-M6x10-8.8	Screw GB70.1 M6x10-8.8	1	
13	253524520010	手柄球(起升)	Handle ball(lift)	1	
14	253524520009	手柄球(倾斜)	Handle ball(tilt)	1	
15	253525020002	手柄球(属具1)	Handle ball(belonging to 1)	1	
16	256824510002	操纵杆焊合(起升)	Joystick welding(lifting)	1	
17	256824510003	操纵杆焊合(倾斜)	Joystick welding(tilt)	1	
18	256825010004	操纵杆焊合(属具1)	Joystick welding(tool1)	1	
19	940500100006	复合套Φ16xΦ18x15-SF-1	Composite setΦ16xΦ18x15-SF-1	6	
20	252124520005	连接杆	Connecting rod	3	
21	910300100006	螺母GB6170-M8-10	Nut GB6170 M8-10	3	
22	255025020003	接头	joint	3	
23	255024520027	支架(行程开关)	Bracket (travel switch)	3	
24	255023520033	接头(直)8-M20x1.5-M16x1.5-60°	Joint (straight) 8-M20x1.5-M16x1.5	2	
25	255024520028	轴套Φ29xΦ16x38	Shaft sleeve Φ16xΦ29x38	1	
A	255098511010	电磁阀	Solenoid valve	1	
26	255098512001	电磁阀线圈(24V)	Solenoid coil (24V)	1	
27	255098512002	电磁阀阀芯	Solenoid valve spool	1	

252198501034 多路换向阀操纵(四联)/Multiple directional control valve(four)



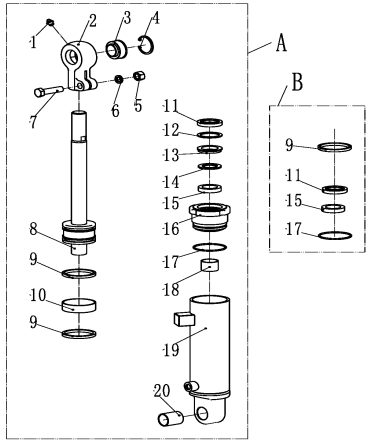
序号/NO	编码/SN	Name	名称	数量/QTY	备注/Remark
1	252025510011	多路阀(四联)	Multiway valve (four)	1	
1	256825511002	多路阀(4联电磁阀ZSX)	Multi way valve (four) solenoid valv	1	CE选配
2	910100400006	螺栓GB5786-M10x1.25x40-8.8	Bolt GB5786-M10x1.25x40-8.8	4	
3	910400500007	弹簧垫圈GB93-10	Spring washer GB93-10	8	
4	910400100007	平垫圈GB97.1-10-200HV	Washer GB97.1-10-200HV	12	
5	941100800001	销轴B4.75x20-c1B	Pin B4.75x20-c1B	8	
6	910600600011	开口销GB91-2x12	Cotter pin GB91-2x12	8	
7	252124520002	支架(阀杆)	Support (stem)	1	
8	910100300037	螺栓GB5783-M10x30-8.8	Bolt GB5783 M10x30-8.8	4	
9	910300100007	螺母GB6170-M10-10	Nut GB6170-M10-10	4	
10	255024510009	带耳轴Φ16x168	With trunnion Φ16x168	1	
11	910400500005	弹簧垫圈GB93-6	Spring washer GB93-6	1	
12	910200200032	螺钉GB70.1-M6x10-8.8	Screw GB70.1 M6x10-8.8	1	
13	253524520010	手柄球(起升)	Handle ball (lift)	1	
14	253524520009	手柄球(倾斜)	Handle ball (tilt)	1	
15	253525020002	手柄球(属具1)	Handle ball (belonging to1)	1	
16	253525520002	手柄球(属具2)	Handball (belonging to 2)	1	
17	256824510002	操纵杆焊合(起升)	Joystick welding (lifting)	1	
18	256824510003	操纵杆焊合(倾斜)	Joystick welding (tilt)	1	
19	256825010004	操纵杆焊合(属具1)	Joystick welding (tool 1)	1	
20	256825510005	操纵杆焊合(属具2)	Joystick welding (kit 2)	1	
21	940500100006	复合套Φ16xΦ18x15-SF-1	Composite set Φ16xΦ18x15-SF-1	8	
22	252124520005	连接杆	Connecting rod	4	
23	910300100006	螺母GB6170-M8-10	Nut GB6170 M8-10	4	
24	255025020003	接头	joint	4	
25	255024520027	支架(行程开关)	Bracket (travel switch)	4	
26	255023520033	接头(直)8-M20x1.5-M16x1.5-60°	Joint (straight)8-M20x1.5-M16x1.5-	4	
A	255098511010	电磁阀	Solenoid valve	1	
27	255098512001	电磁阀线圈(24V)	Solenoid coil (24V)	1	
28	255098512002	电磁阀阀芯	Solenoid valve spool	1	

252198501035 液压系统/Hydraulic system



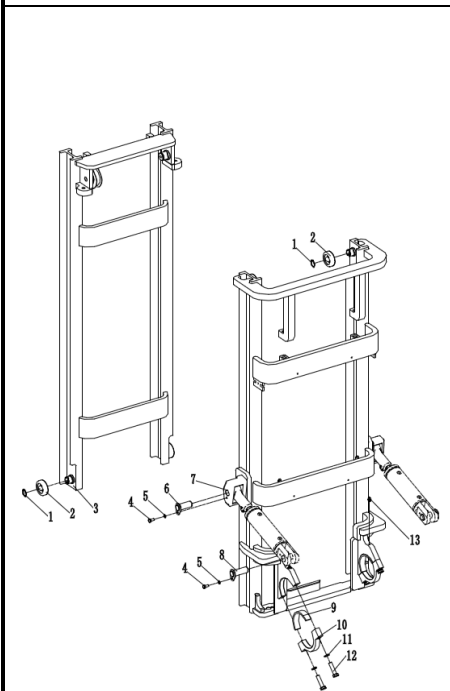
序号/NO	编码/SN	Name	名称	数量/QTY	备注/Remark
1	252123520001	Hydraulic pipe assembly (other)8-L24	液压管总成(异)8-L2400-1SC-60°	1	
2	252123520009	Hydraulic pipe assembly (other)8-L26	液压管总成(异)8-L2600-1SC-60°	1	
3	252123520002	Hydraulic tube assembly (135°)6-L60	液压管总成(135°)6-L600-1SC-60°	1	
4	255023520007	Joint (straight) 6-g1/4 - m14x1.5-60°	接头(直)6-G1/4-M14x1.5-60°	4	
5	252123520003	Hydraulic tube assembly(135°)6-L750	液压管总成(135°)6-L750-1SC-60°	1	
6	252123520010	Rubber hose (oil return)	胶管(回油)	1	
7	911000600004	Hose hoops QC/T390-(38-34)	喉箍QC/T390-(34-38)	4	
8	900200401001	Oil return hose 23x5	回油胶管23x5	2560mm	
9	911000600003	Hose hoops QC/T390-(22-26)	喉箍QC/T390-(22-26)	2	
10	252123520004	Rubber hose (oil absorption)	胶管(吸油)	1	
11	911000600006	Hose hoops QC/T390-(40-45)	喉箍QC/T390-(40-45)	2	
12	252123520005	Hydraulic tubing assembly(90°)6-L450	液压管总成(90°)6-L450-1SC-60°	1	
13	252123520006	Hydraulic tube assembly(135°)6-L500	液压管总成(135°)6-L500-1SC-60°	1	
14	255023510012	Joint (tee) 7-2xm14x1.5-m16x1.5-60°	接头(三通)7-2xm14x1.5-M16x1.5-60°	2	
15	252123520011	Hydraulic tubing assembly (90°)6-L1320	液压管总成(90°)6-L1320-1SC-60°	1	
16	251123521005	Hydraulic tube assembly(90°)8-L1320	液压管总成(90°)8-L1320-1SC-60°	1	
17	255023520034	Joint(straight) 8-2xm16x1.5-60°	接头(直)8-2xm16x1.5-60°	2	
18	255023510003	Joint(lock bend) 6-G1/4-M14x1.5-60°	接头(锁定弯)6-G1/4-M14x1.5-60°	1	
19	255023510008	Joint(lock bend)11-M20x1.5-0	接头(锁定弯)11-M20x1.5-0	1	
20	255023510007	Joint(lock bend)10-M20x1.5-M16x1.5	接头(锁定弯)10-M20x1.5-M16x1.5	3	
21	255023520035	Joint(lock bend)12-G1/2-M22x1.5-60	接头(锁定弯)12-G1/2-M22x1.5-60°	1	
22	251323512006	Gear pump	齿轮泵	1	
23	910400100007	Washer GB97.1-10-200HV	平垫圈GB97.1-10-200HV	2	
24	910400500007	Spring washer GB93-10	弹簧垫圈GB93-10	2	
25	910100300037	Bolt GB5783 M10x30-8.8	螺栓GB5783-M10x30-8.8	1	
26	255023510005	Joint(to bend)25-G1-Φ32	接头(转向弯)25-G1-Φ32	1	
27	255023520030	Joint(straight)12-2xm22x1.5-60°	接头(直)12-2xm22x1.5-60°	1	
28	255023510001	Joint(lock bend)6-m12x1.5-M14x1.5-60	接头(锁定弯)6-M12x1.5-M14x1.5-60°	1	
29	255044020143	Joint(lock bend) 12-M20x1.5-M22x1.5	接头(锁定弯)12-M20x1.5-M22x1.5	1	
30	255023520033	Joint(straight)8-M20x1.5-M16x1.5-60	接头(直)8-M20x1.5-M16x1.5-60°	1	
31	255023520004	Hydraulic tubing assembly(90°)13-L2	液压管总成(90°)13-L2750-2SC-60	1	

倾斜油缸/Tilted cylinder



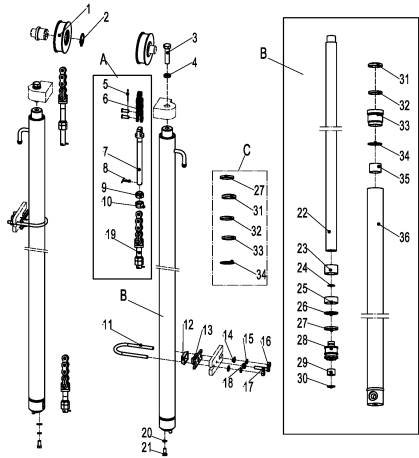
序号/NO	编码/SN	Name	名称	数量/Qty	备注/Remark
A	251320510001	Cylinder(TL)(6/10)	油缸(TL) (6/10)	1	H≤3700, Left
	251320510002	Cylinder (TL)(6/6)	油缸(TL) (6/6)	1	3700<H≤5000, Left
	251320510003	Cylinder (TL)(3/6)	油缸(TL) (3/6)	1	5000<H, Left
	251320510004	Cylinder (TR)(6/10)	油缸(TR) (6/10)	1	H≤3700, Right
	251320510005	Cylinder (TR)(6/6)	油缸(TR) (6/6)	1	3700<H≤5000, Right
	251320510006	Cylinder (TR)(3/6)	油缸(TR) (3/6)	1	5000<H, Right
A	251120510001	Cylinder(TL)(6/10)	油缸(TL) Φ63xΦ30x110(6/10)	1	14QC-16QC
	251120510002	Cylinder (TL)(6/6)	油缸(TL) Φ63xΦ30x81.5(6/6)	1	
	251120510003	Cylinder (TL)(3/6)	油缸(TL) Φ63xΦ30x61.5(3/6)	1	
	251120510005	Cylinder (TR)(6/10)	油缸(TR) Φ63xΦ30x110(6/10)	1	
	251120510006	Cylinder (TR)(6/6)	油缸(TR) Φ63xΦ30x81.5(6/6)	1	
	251120510007	Cylinder (TR)(3/6)	油缸(TR) Φ63xΦ30x61.5(3/6)	1	
B	254198510006	Seal kits (tilted cylinder)	密封件修理包(倾斜缸)	2	14-16QC
B	252198510006	Seal kits (tilted cylinder)	密封件修理包(倾斜缸)	2	20QC
1	▲	Grease mouth Z1/8	直通式滑脂嘴Z1/8	2	
2	254198520501	Earring	耳环	2	
3	▲	Bearing GE30ES	关节轴承GE30ES	2	
4	▲	Circlip 47	挡圈47	2	
5	▲	NutM14	螺母M14	2	
6	▲	Washer14	垫圈14	2	
7	▲	BoltM14x55	螺栓M14x55	2	
8	▲	Piston body assembly	活塞体总成	2	
9	▲	Yx seal ring	Yx型密封圈	2	
10	▲	Support ring	支承环D63x20x2.5	2	
11	▲	Dust ring	防尘圈	2	
12	▲	Circlip 52	挡圈52	2	
13	▲	Circlip	挡圈	2	
14	▲	Catch 48x30x3	挡片48x30x3	2	
15	▲	Useal ring 48x30x10	U型密封圈	2	
16	▲	Guide sleeve	导向套	2	
17	▲	O seal ring 63x3.1	O型密封圈	2	
18	▲	Bearing 3025	钢背轴承3025	2	
19	▲	Cylinder barrel assembly	缸筒总成	2	
20	▲	Bearing 3040	钢背轴承3040	2	

门架(标准门架)/Mast (standard mast)



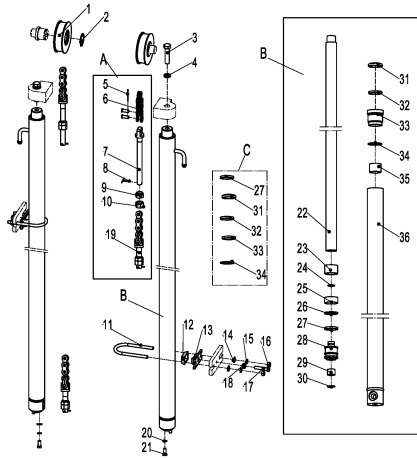
序号/NO	编码/SN	Name	名称	数量/QTY	备注/Remark
1	910401300018	Circlip GB894.1-35	轴用弹性挡圈GB894.1-35	4	
2	940200300048	RollerΦ79.10-range=45.3-49.3	复合滚轮Φ79.10-range=45.3-49.3	4	
	940200300047	RolleΦ78.80-range=45.3-49.3	复合滚轮Φ78.80-range=45.3-49.3	4	
3	254144010011	Mast 2500	内门架焊合 (2500)	1	H=2500
	254144010012	Mast 2700	内门架焊合 (2700)	1	H=2700
	254144010013	Mast 3000	内门架焊合 (3000)	1	H=3000
	254144010014	Mast 3300	内门架焊合 (3300)	1	H=3300
	254144010015	Mast 3500	内门架焊合 (3500)	1	H=3500
	254144010016	Mast 3700	内门架焊合 (3700)	1	H=3700
	254144010017	Mast 4000	内门架焊合 (4000)	1	H=4000
	254144010018	Mast 4300	内门架焊合 (4300)	1	H=4300
	254144010019	Mast 4500	内门架焊合 (4500)	1	H=4500
	254144010020	Mast 5000	内门架焊合 (5000)	1	H=5000
	4	910100300035	Bolt GB5783-M10x20-8.8	螺栓GB5783-M10x20-8.8	4
5	910400500007	Washer GB93-16	弹簧垫圈GB93-10	4	
6	255044010057	Axle φ30x82	带耳轴φ30x82	2	
7	254144010001	Mast 2500	外门架焊合 (2500)	1	H=2500
	254144010002	Mast 2700	外门架焊合 (2700)	1	H=2700
	254144010003	Mast 3000	外门架焊合 (3000)	1	H=3000
	254144010004	Mast 3300	外门架焊合 (3300)	1	H=3300
	254144010005	Mast 3500	外门架焊合 (3500)	1	H=3500
	254144010006	Mast 3700	外门架焊合 (3700)	1	H=3700
	254144010007	Mast4000	外门架焊合 (4000)	1	H=4000
	254144010008	Mast 4300	外门架焊合 (4300)	1	H=4300
	254144010009	Mast 4500	外门架焊合 (4500)	1	H=4500
	254144010010	Mast 5000	外门架焊合 (5000)	1	H=5000
8	251144010001	Axle φ30x82	(油孔) 带耳轴φ30x82	2	
9	254144020063	Bearing bush	轴瓦	2	
10	254144020100	Bearing cover	轴承盖	2	
11	910400500010	Washer GB93-16	弹簧垫圈GB93-16	4	
12	910100200016	Bolt GB5785-M16x1.5x70-8.8	螺栓GB5785-M16x1.5x70-8.8	4	

252198501040 起升油缸(标准门架)/Lifting cylinder(standard mast)



序号/NO	编码/SN	Name	名称	数量/QTY	备注/Remark
A	252044510005	Lifting chain LH1234-85	起升链条LH1234-85	2	H=2500
	252144014001	Lifting chain LH1234-91	起升链条LH1234-91	2	H=2700
	252144014011	Lifting chain LH1234-99	起升链条LH1234-99	2	H=3000
	252144014003	Lifting chain LH1234-105	起升链条LH1234-105	2	H=3300
	251244014011	Lifting chain LH1234-111	起升链条LH1234-111	2	H=3500
	252144014005	Lifting chain LH1234-117	起升链条LH1234-117	2	H=3700
	251244514007	Lifting chain LH1234-135	起升链条LH1234-135	2	H=4000
	251244514008	Lifting chain LH1234-145	起升链条LH1234-145	2	H=4300
	252144014008	Lifting chain LH1234-147	起升链条LH1234-147	2	H=4500
	252144014009	Lifting chain LH1234-161	起升链条LH1234-161	2	H=5000
B	254144010021	Cylinder(H=2500)	油缸 (H=2500)	2	H=2500
	254144010022	Cylinder(H=2700)	油缸 (H=2700)	2	H=2700
	254144010023	Cylinder(H=3000)	油缸 (H=3000)	2	H=3000
	254144010024	Cylinder(H=3300)	油缸 (H=3300)	2	H=3300
	254144010025	Cylinder(H=3500)	油缸 (H=3500)	2	H=3500
	254144010026	Cylinder(H=3700)	油缸 (H=3700)	2	H=3700
	254144010027	Cylinder(H=4000)	油缸 (H=4000)	2	H=4000
	254144010028	Cylinder(H=4300)	油缸 (H=4300)	2	H=4300
	254144010029	Cylinder(H=4500)	油缸 (H=4500)	2	H=4500
	254144010030	Cylinder(H=5000)	油缸 (H=5000)	2	H=5000
C	254198510001	Seal kits(standard mast lifting cylinde	密封件修理包(标准门架起升缸)	2	
1	940200500015	Chain wheel bearing780708K3-Φ95x	链轮轴承780708K3-Φ95xΦ40x27	2	
2	910401300020	Circlip GB894.1-40	轴用弹性挡圈GB894.1-40	2	
3	910100300051	Bolt GB5783-M12x35-8.8	螺栓GB5783-M12x35-8.8	2	
4	910400500008	Washer GB93-12	弹簧垫圈GB93-12	2	
5	910600600019	Split pin 2.5x25	开口销GB91-2.5x25	2	
6	910900400010	LH1234 chain	板式链GB6074-LH1234	2	
7	252044020121	Joint	链条螺栓M16x1.5x178	2	
8	910600600030	Split pin 3.2x30	开口销GB91-3.2x30	2	
9	910300200008	Nut M16x1.5	螺母GB6171-M16x1.5-10	2	
10	254144020066	Nut M16x1.5	球面螺母M16x1.5	2	

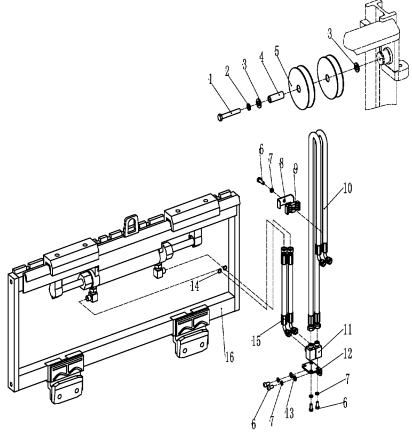
252198501040 起升油缸(标准门架)/Lifting cylinder(standard mast)



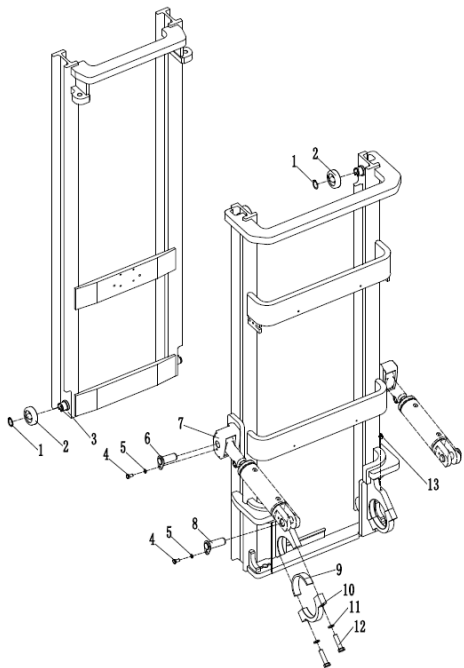
序号/NO	编码/SN	Name	名称	数量/QTY	备注/Remark
11	251244020101	Joint	链条螺栓M16x1.5x85	2	
12	254144020060	Fixing ring	固定环	2	
13	254144020061	shield	防护罩	2	
14	254144020062	Fixing seat	固定座	2	
15	910400100006	Washer GB97.1-8-200HV	平垫圈GB97.1-8-200HV	4	
16	910400500006	Washer GB93-8	弹簧垫圈GB93-8	4	
17	910300100006	Nut GB6170-M8-10	螺母GB6170-M8-10	4	
18	910300100007	Nut GB6170-M10-10	螺母GB6170-M10-10	2	
19	910100300038	Bolt GB5783-M10x35-8.8	螺栓GB5783-M10x35-8.8	2	
20	910400500007	Washer GB93-10	弹簧垫圈GB93-10	6	
21	910100400002	Bolt GB5786-M10x1.25x20-8.8	螺栓GB5786-M10x1.25x20-8.8	2	
22	▲	Piston rod	活塞杆	1	
23	▲	Adjusting bushing $\phi 35.5x\phi 44xL1$	调整套 $\phi 35.5x\phi 44xL1$	1	
24	▲	Circlip	钢丝挡圈	1	
25	▲	Bearing D45x8(t=2.5)	支承环D45x8 (t=2.5)	1	
26	▲	Catch35x45x3	挡片35x45x3	1	
27	▲	Seal ring 45x35x6	孔用密封圈	1	
28	▲	Piston rod	活塞	1	
29	▲	Copper bushing	铜套	1	
30	▲	Circlip	钢丝挡圈	1	
31	▲	Dust ring	防尘圈	1	
32	▲	Seal ring	轴用密封圈	1	
33	▲	Guide sleeve	导向套	1	
34	▲	O ring	O型密封圈	1	
35	▲	Bearing 3530	钢背轴承3530	1	
36	▲	Cylinder	缸体	1	

侧移器及管路安装(标准门架)/Side shifter and pipeline installation (standard mast)

序号/NO	编码/SN	Name	名称	数量/QTY	备注/Remark
1	910100100056	Bolt GB5782-M12x90-8.8	螺栓GB5782-M12x90-8.8	1	
2	910400500008	WasherGB93-12	弹簧垫圈GB93-12	1	
3	910400100008	Washer GB97.1-12-200HV	平垫圈GB97.1-12-200HV	1	
4	255030520022	Bush Φ 22x Φ 13x56	衬套Φ 22x Φ 13x56	1	
5	255030520021	Pulley Φ 110x27	滑轮Φ 110x27(单槽)	2	
6	910200200062	ScrewGB5783-M8x45-8.8	螺钉GB70.1-M8x45-8.8	2	
7	910400500006	Washer GB93-8	弹簧垫圈GB93-8	6	
8	255028520034	Rubber pipe lump	胶管固定块	2	
9	255028520035	Pipe press fixedly plank	管夹安装板	2	
10	254128520039	Hydraulic hose assembly 10-L3250-1	液压管总成(直)10-L3250-1SC-60°	2	H=2500
	255030520006	Hydraulic hose assembly 10-L3370-1	液压管总成(直)10-L3370-1SC-60°	2	H=2700
	263030520005	Hydraulic hose assembly 10-L3670-1	液压管总成(直)10-L3670-1SC-60°	2	H=3000
	256530520704	Hydraulic hose assembly 10-L4070-1	液压管总成(直)10-L4070-1SC-60°	2	H=3300
	252127521001	Hydraulic hose assembly 10-L4150-1	液压管总成(直)10-L4150-1SC-60°	2	H=3500
	252127521002	Hydraulic hose assembly 10-L4350-1	液压管总成(直)10-L4350-1SC-60°	2	H=3700
	275331020701	Hydraulic hose assembly 10-L4770-1	液压管总成(直)10-L4770-1SC-60°	2	H=4000
	256028020005	Hydraulic hose assembly 10-L5050-1	液压管总成(直)10-L5050-1SC-60°	2	H=4300
	252127521003	Hydraulic hose assembly 10-L5360-1	液压管总成(直)10-L5360-1SC-60°	2	H=4500
252127521004	Hydraulic hose assembly 10-L5800-1	液压管总成(直)10-L5800-1SC-60°	2	H=5000	
11	255029020024	Joint 8-M16x1.5-60°	接头(锁定弯)8-2xM16x1.5-60°	2	
12	254127520001	fixedly plank	安装板	1	
13	910400100006	Washer GB97.1-8-200HV	平垫圈GB97.1-8-200HV	2	
14	910800100042	Oring 13.6x2.4	O形圈-外13.6x2.4	2	
15	254142520001	Hydraulic hose assembly (90°)10-L300-1	液压管总成(90°)10-L300-1SC-60°	2	
16	255042510004	Side shifter assembly(LH)	侧移器总成(LH)	1	选装/optional
	255042510001	Side shifter assembly(LD)	侧移器总成(LD)	1	选装/optional
	255042510002	Side shifter assembly(CASCADE)	侧移器总成(卡斯卡特)	1	选装/optional

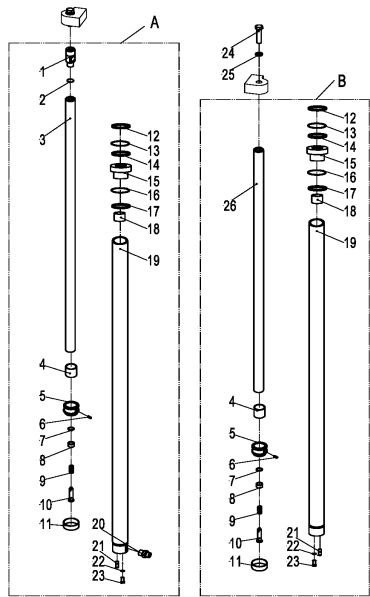


252198501044 门架(两级全自由门架/Mast (two stage full free))



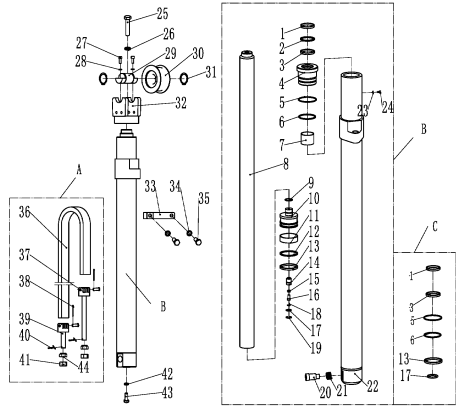
序号/NO	编码/SN	Name	名称	数量/QTY	备注/Remark
1	910401300018	Circlip GB894.1-35	轴用弹性挡圈GB894.1-35	4	
2	940200300048	RollerΦ79.10-range=45.3-49.3	复合滚轮Φ79.10-range=45.3-49.3	4	选装/optional
2	940200300047	RollerΦ78.80-range=45.3-49.3	复合滚轮Φ78.80-range=45.3-49.3	4	选装/optional
3	254143510011	Mast 2500	内门架焊合(2500)	1	H=2500
3	254143510012	Mast 2700	内门架焊合(2700)	1	H=2700
3	254143510013	Mast 3000	内门架焊合(3000)	1	H=3000
3	254143510014	Mast 3300	内门架焊合(3300)	1	H=3300
3	254143510015	Mast 3500	内门架焊合(3500)	1	H=3500
3	254143510016	Mast 3700	内门架焊合(3700)	1	H=3700
3	254143510017	Mast 4000	内门架焊合(4000)	1	H=4000
3	254143510018	Mast 4300	内门架焊合(4300)	1	H=4300
3	254143510019	Mast 4500	内门架焊合(4500)	1	H=4500
3	254143510020	Mast 5000	内门架焊合(5000)	1	H=5000
4	910100300035	Bolt GB5783-M10x20-8.8	螺栓GB5783-M10x20-8.8	4	
5	910400500007	Washer GB93-10	弹簧垫圈GB93-10	4	
6	255044010057	Axle φ30x82	带耳轴φ30x82	2	
7	254143510001	Mast 2500	外门架焊合(2500)	1	H=2500
7	254143510002	Mast 2700	外门架焊合(2700)	1	H=2700
7	254143510003	Mast 3000	外门架焊合(3000)	1	H=3000
7	254143510004	Mast 3300	外门架焊合(3300)	1	H=3300
7	254143510005	Mast 3500	外门架焊合(3500)	1	H=3500
7	254143510006	Mast 3700	外门架焊合(3700)	1	H=3700
7	254143510007	Mast 4000	外门架焊合(4000)	1	H=4000
7	254143510008	Mast 4300	外门架焊合(4300)	1	H=4300
7	254143510009	Mast 4500	外门架焊合(4500)	1	H=4500
7	254143510010	Mast 5000	外门架焊合(5000)	1	H=5000
8	251144010001	Axle φ30x82	(油孔)带耳轴φ30x82	2	
9	254144020063	Bearing bush	轴瓦	2	
10	254144020100	Bearing cover	盖	2	
11	910400500010	Washer GB93-16	弹簧垫圈GB93-16	4	
12	910100200016	Bolt GB5785-M16x1.5x70-8.8	螺栓GB5785-M16x1.5x70-8.8	4	

252198501046 起升油缸(二级全自由)/Lifting cylinder(two stage full free)



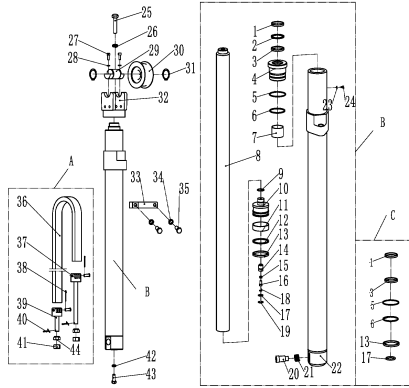
序号/NO	编码/SN	Name	名称	数量/QTY	备注/Remark
A	254143510120	cylinder(R)(H=2500)	油缸(R)(H=2500)	1	H=2500
	254143510121	cylinder(R)(H=2700)	油缸(R)(H=2700)	1	H=2700
	254143510122	cylinder(R)(H=3000)	油缸(R)(H=3000)	1	H=3000
	254143510123	cylinder(R)(H=3300)	油缸(R)(H=3300)	1	H=3300
	254143510124	cylinder(R)(H=3500)	油缸(R)(H=3500)	1	H=3500
	254143510125	cylinder(R)(H=3700)	油缸(R)(H=3700)	1	H=3700
	254143510126	cylinder(R)(H=4000)	油缸(R)(H=4000)	1	H=4000
	254143510127	cylinder(R)(H=4300)	油缸(R)(H=4300)	1	H=4300
	254143510128	cylinder(R)(H=4500)	油缸(R)(H=4500)	1	H=4500
	254143510129	cylinder(R)(H=5000)	油缸(R)(H=5000)	1	H=5000
B	254143510110	cylinder(L)(H=2500)	油缸(L)(H=2500)	1	H=2500
	254143510111	cylinder(L)(H=2700)	油缸(L)(H=2700)	1	H=2700
	254143510112	cylinder(L)(H=3000)	油缸(L)(H=3000)	1	H=3000
	254143510113	cylinder(L)(H=3300)	油缸(L)(H=3300)	1	H=3300
	254143510114	cylinder(L)(H=3500)	油缸(L)(H=3500)	1	H=3500
	254143510115	cylinder(L)(H=3700)	油缸(L)(H=3700)	1	H=3700
	254143510116	cylinder(L)(H=4000)	油缸(L)(H=4000)	1	H=4000
	254143510117	cylinder(L)(H=4300)	油缸(L)(H=4300)	1	H=4300
	254143510118	cylinder(L)(H=4500)	油缸(L)(H=4500)	1	H=4500
	254143510119	cylinder(L)(H=5000)	油缸(L)(H=5000)	1	H=5000
C	254198510002	Seal kits (two stage full free lifting cyl	密封件修理包(二级全自由起升缸)	2	
1	▲	Connecting rod	左连接杆	1	
2	▲	O ring	O型密封圈	1	
3	▲	Piston rod assembly	左柱塞杆总成	1	
6	▲	ScrewM4x6	内六角凹端紧固螺钉M4x6	2	
7	▲	Circlip φ18	钢丝挡圈 φ18	2	
8	▲	Copper bushing	铜套	2	
9	▲	Spring	弹簧	2	
10	▲	Buffer plunger	缓冲柱塞	2	
11	▲	Supporting ring45x15x2.5	支承环45x15x2.5	2	
13	▲	Catch 32x42x3	挡片32x42x3	2	

252198501047 短升降油缸(二级全自由)/Short lifting cylinder (two stage full free)



序号/NO	编码/SN	Name	名称	数量/QTY	备注/Remark
A	254143510060	Lifting chain LH1266-65	起升链条LH1266-65	2	H=2500
	254143515001	Lifting chain LH1266-71	起升链条LH1266-67	2	H=2700
	254143510061	Lifting chain LH1266-79	起升链条LH1266-71	2	H=3000
	254144510016	Lifting chain LH1266-87	起升链条LH1266-75	2	H=3300
	254144510017	Lifting chain LH1266-93	起升链条LH1266-77	2	H=3500
	254144540004	Lifting chain LH1266-97	起升链条LH1266-81	2	H=3700
	252143510071	Lifting chain LH1266-105	起升链条LH1266-85	2	H=4000
	254144510019	Lifting chain LH1266-113	起升链条LH1266-89	2	H=4300
	252143510072	Lifting chain LH1266-119	起升链条LH1266-91	2	H=4500
254143510065	Lifting chain LH1266-133	起升链条LH1266-97	2	H=5000	
B	254143510100	cylinder (M)(H=2500)	油缸 (M) (H=2500)	1	H=2500
	254143510101	cylinder (M)(H=2700)	油缸 (M) (H=2700)	1	H=2700
	254143510102	cylinder (M)(H=3000)	油缸 (M) (H=3000)	1	H=3000
	254143510103	cylinder (M)(H=3300)	油缸 (M) (H=3300)	1	H=3300
	254143510104	cylinder (M)(H=3500)	油缸 (M) (H=3500)	1	H=3500
	254143510105	cylinder (M)(H=3700)	油缸 (M) (H=3700)	1	H=3700
	254143510106	cylinder (M)(H=4000)	油缸 (M) (H=4000)	1	H=4000
	254143510107	cylinder (M)(H=4300)	油缸 (M) (H=4300)	1	H=4300
	254143510108	cylinder (M)(H=4500)	油缸 (M) (H=4500)	1	H=4500
254143510109	cylinder (M)(H=5000)	油缸 (M) (H=5000)	1	H=5000	
C	254198510004	Seal kits (two stage full free middle cy	密封件修理包(二级全自由中缸)	1	
1	▲	Dust ring	防尘圈	1	
2	▲	Catch 50x60x3	挡片50x60x3	1	
3	▲	Seal ring	轴用密封圈	1	
4	▲	Guide sleeve	导向套	1	
5	▲	O ring D75	O型密封圈D75	1	
6	▲	O ring D70	O型密封圈D70	1	
7	▲	Bearing 5035	钢背轴承5035	1	
8	▲	Piston rod	活塞杆	1	
9	▲	Circlip	钢丝挡圈	1	
10	▲	Piston assembly	活塞总成	1	

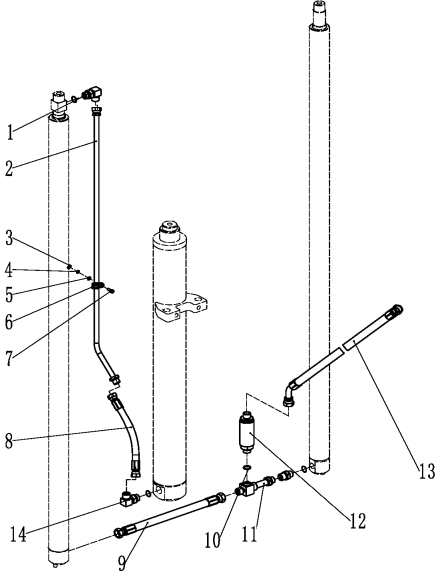
252198501047 短升降油缸(二级全自由)/Short lifting cylinder (two stage full free)



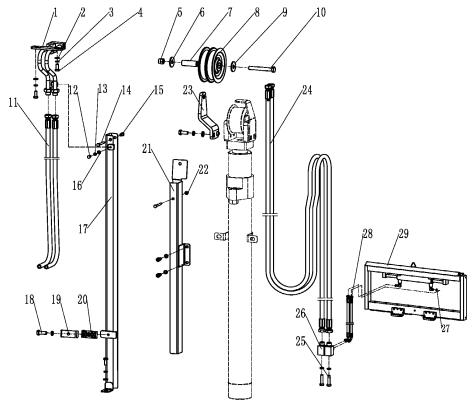
序号/NO	编码/SN	Name	名称	数量/QTY	备注/Remark
11	▲	Back up ring 70x20x3	支承环70x20x3	1	
12	▲	Circlip 70x60x3	挡圈70x60x3	1	
13	▲	Seal ring	密封圈	1	
14	▲	Valve bushing	阀套	1	
15	▲	Spring	弹簧	1	
16	▲	Valve plug	阀芯	1	
17	▲	O ring	O型密封圈	1	
18	▲	Circlip φ12	挡圈 φ 12	1	
19	▲	Circlip φ22	挡圈 φ 22	1	
20	▲	Slide valve	滑阀	1	
21	▲	Spring	弹簧	1	
22	▲	Cylinder	缸体	1	
23	▲	Spacer	垫片	1	
24	▲	Screw M5x5	螺钉M5x5	1	
25	910100300069	Bolt GB5783-M16x35-8.8	螺栓GB5783-M16x35-8.8	1	
26	910400500010	Washer GB93-16	弹簧垫圈GB93-16	1	
27	910200200057	ScrewGB70.1- M8x20-8.8	螺钉GB70.1-M8x20-8.8	2	
28	910400500006	Washer GB93-8	弹簧垫圈GB93-8	4	
29	254143520056	Chain wheel bearing	链轮轴	1	
30	940200500009	Chain wheel bearing 785208-00-φ95	链轮轴承785208-00-φ95xφ40xφ4	1	
31	910401300020	Circlip GB894.1-40	轴用弹性挡圈GB894.1-40	2	
32	254143510050	Chain wheel weld	链轮座焊合	1	
33	254143520072	Embrace hoop	抱箍	1	
34	910400100006	Washer GB97.1-8-200HV	平垫圈GB97.1-8-200HV	2	
35	910100300022	Bolt GB5783-M8x20-8.8	螺栓GB5783-M8x20-8.8	2	
36	910900400013	LH1266 chain	板式链GB6074-LH1266	1	
37	254143520070	Joint	链条螺栓M18x1.5x185.5	1	
38	910600600032	Split pin GB91-3.2x40	开口销GB91-3.2x40	1	
39	254143520071	Joint	链条螺栓M18x1.5x90.5	1	
40	910600600011	Split pin 2X12	开口销GB91-2x12	2	
41	910300400007	Nut M18x1.5	螺母M18x1.5	2	

252198501048 门架起升管路 (二级全自由)/Mast lifting pipeline(three stage full free lift)

序号/NO	编码/SN	Name	名称	数量/QTY	备注/Remark
1	255044020151	Joint 12-2xM22x1.5-60°	接头(锁定弯)12-2xM22x1.5-60°	1	
2	255043520010	Pipe L=1010	液压钢管L=1010	1	H=2500
	255043520024	Pipe L=1255	起升钢管L=1255	1	H=2700
	255043520024	Pipe L=1255	起升钢管L=1255	1	H=3000
	255043520011	Pipe L=1300	液压钢管L=1300	1	H=3300
	255043520012	Pipe L=1460	液压钢管L=1460	1	H=3500
	255043520012	Pipe L=1460	液压钢管L=1460	1	H=3700
	255043520012	Pipe L=1460	液压钢管L=1460	1	H=4000
	255043520014	Pipe L=1850	液压钢管L=1850	1	H=4300
	255043520015	Pipe L=2010	液压钢管L=2010	1	H=4500
	255043520017	Pipe L=2360	液压钢管L=2360	1	H=5000
3	910300100005	Nut GB6170-M6-10	螺母GB6170-M6-10	1	
4	910400500005	Spring gasket GB93-6	弹簧垫圈GB93-6	1	
5	910400100005	Flat gasket GB97.1-6-200HV	平垫圈GB97.1-6-200HV	1	
6	951000100003	Hose clamp YGE wrap glue 15	管夹YGE包胶15	1	
7	910200200036	Screw GB70.1-M6x20-8.8	螺钉GB70.1-M6x20-8.8	1	
8	263044020037	Hydraulic hose assembly15-L425-2SC	液压管总成(直)15-L425-2SC-60°	1	H=2500
	275244019003	Hydraulic hose assembly15-L345-2SC	液压管总成(直)15-L345-2SC-60°	1	H=2700
	254143529501	Hydraulic hose assembly15-L480-2SC	液压管总成(直)15-L480-2SC-60°	1	H=3000
	254143529501	Hydraulic hose assembly15-L480-2SC	液压管总成(直)15-L480-2SC-60°	1	H=3300
	263044020037	Hydraulic hose assembly15-L425-2SC	液压管总成(直)15-L425-2SC-60°	1	H=3500
	254143529502	Hydraulic hose assembly15-L510-2SC	液压管总成(直)15-L510-2SC-60°	1	H=3700
	254143529503	Hydraulic hose assembly15-L560-2SC	液压管总成(直)15-L560-2SC-60°	1	H=4000
	254143529501	Hydraulic hose assembly15-L480-2SC	液压管总成(直)15-L480-2SC-60°	1	H=4300
	263044020037	Hydraulic hose assembly15-L425-2SC	液压管总成(直)15-L425-2SC-60°	1	H=4500
	275244019003	Hydraulic hose assembly15-L345-2SC	液压管总成(直)15-L345-2SC-60°	1	H=5000
9	254144020039	Hydraulic hose assembly12-L345-2SC	液压管总成(直)12-L345-2SC-60°	1	
10	910800100040	Oring 24x2.4	O形圈-外24x2.4	1	
11	254144020038	Joint	接头(三通)	1	
12	950700300001	Speed limit valve XSF-F16-40	限速阀XSF-F16-40	1	
13	252144029001	Hydraulic hose assembly(135°)15-L850-2SC	液压管总成(135°)15-L850-2SC-60°	1	20QC

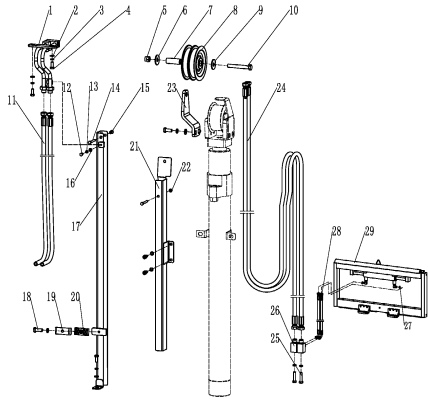


252198501049 侧移器及管路安装 (二级全自由)/Side shifter and pipeline installation(two stage full free)



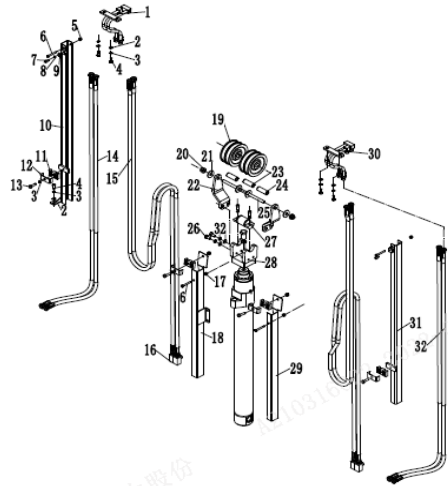
序号/NO	编码/SN	Name	名称	数量/QTY	备注/Remark
1	254128510001	Transition steel pipe solder	过度钢管焊接	1	
2	910400100006	Washer GB97.1-8-200HV	平垫圈GB97.1-8-200HV	1	
3	910400500006	Washer GB93-8	弹簧垫圈GB93-8	1	
4	941100400001	Screw M8X20-8.8	螺钉M8x20-8.8	1	
5	910300500006	Nut GB889.1-M12-10	螺母GB889.1-M12-10	1	
6	910400100008	Washer GB97.1-12-200HV	平垫圈GB97.1-12-200HV	1	
7	255030520022	Bushing	衬套	1	
8	255030520021	Pulley φ110x27	滑轮 φ110x27 (单槽)	1	
9	910400200005	Washer GB97.1-12-200HV	大垫圈GB96.1-12-200HV	1	
10	910100100058	Bolt GB5783-M12x100-8.8	螺栓GB5783-M12x100-8.8	1	
11	255030520709	Hydraulic hose assembly 10-L1580-1	液压管总成(直)10-L1580-1SC-60°	2	H=2500 20QC
	281229020021	Hydraulic hose assembly 10-L1650-1	液压管总成(直)10-L1650-1SC-60°	2	H=2700 20QC
	252128521001	Hydraulic hose assembly 10-L1810-1	液压管总成(直)10-L1810-1SC-60°	2	H=3000 20QC
	263030520013	Hydraulic hose assembly 10-L1895-1	液压管总成(直)10-L1895-1SC-60°	2	H=3300 20QC
	255030520711	Hydraulic hose assembly 10-L2090-1	液压管总成(直)10-L2090-1SC-60°	2	H=3500 20QC
	252030520016	Hydraulic hose assembly 10-L2220-1	液压管总成(直)10-L2220-1SC-60°	2	H=3700 20QC
	263030520017	Hydraulic hose assembly 10-L2390-1	液压管总成(直)10-L2390-1SC-60°	2	H=4000 20QC
	281229020031	Hydraulic hose assembly 10-L2550-1	液压管总成(直)10-L2550-1SC-60°	2	H=4300 20QC
	255030520004	Hydraulic hose assembly 10-L2610-1	液压管总成(直)10-L2610-1SC-60°	2	H=4500 20QC
252130520701	Hydraulic hose assembly 10-L2915-1	液压管总成(直)10-L2915-1SC-60°	2	H=5000 20QC	
12	941100100009	Screw M6X12-8.8	螺钉M6x12-8.8	1	
13	910400500005	Washer GB93-8	弹簧垫圈GB93-6	1	
14	910100300016	Bolt GB5783-M6X50-8.8	螺栓GB5783-M6x50-8.8	2	
15	910301300002	Nut GB17880.1-M6X16.5	螺母GB17880.1-M6x16.5	1	
16	910400100005	Washer GB97.1-6-200HV	平垫圈GB97.1-6-200HV	1	
17	254128510012	Groove welding L=705	外导槽焊接L=705	1	H=2500
	254128510013	Groove welding L=805	外导槽焊接L=805	1	H=2700
	254128510014	Groove welding L=950	外导槽焊接L=950	1	H=3000
	254128510015	Groove welding L=1105	外导槽焊接L=1105	1	H=3300
	254128510016	Groove welding L=1205	外导槽焊接L=1205	1	H=3500
	254128510017	Groove welding L=1305	外导槽焊接L=1305	1	H=3700

252198501049 侧移器及管路安装 (二级全自由)/Side shifter and pipeline installation(two stage full free)



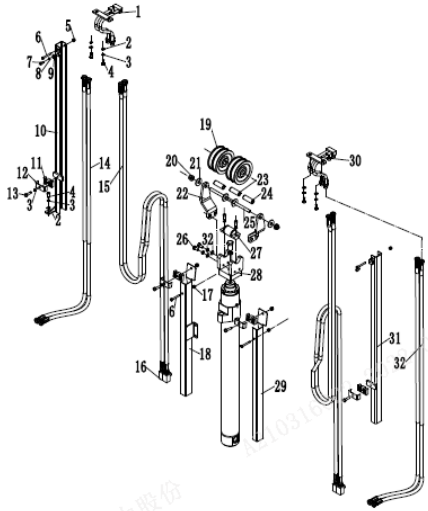
序号/NO	编码/SN	Name	名称	数量/QTY	备注/Remark
17	254128510018	Groove welding L=1505	外导槽焊合L=1505	1	H=4000
	254128510019	Groove welding L=1655	外导槽焊合L=1655	1	H=4300
	254128510020	Groove welding L=1755	外导槽焊合L=1755	1	H=4500
18	254128510021	Groove welding L=2030	外导槽焊合L=2030	1	H=5000
19	910200200059	Screw GB70.1-M8x30-8.8	螺钉GB70.1-M8x30-8.8	1	
20	255028520035	Rubber pipe lump	管夹安装板	2	
	255028520034	Pipe press fixedly plank	胶管固定块	2	
21	254128510002	Groove welding (inner)L=515	内导槽焊合L=515	1	H=2500
	254128510003	Groove welding (inner)L=565	内导槽焊合L=565	1	H=2700
	254128510004	Groove welding (inner)L=640	内导槽焊合L=640	1	H=3000
	254128510005	Groove welding (inner)L=715	内导槽焊合L=715	1	H=3300
	254128510006	Groove welding (inner)L=765	内导槽焊合L=765	1	H=3500
	254128510007	Groove welding (inner)L=815	内导槽焊合L=815	1	H=3700
	254128510008	Groove welding (inner)L=890	内导槽焊合L=890	1	H=4000
	254128510009	Groove welding (inner)L=965	内导槽焊合L=965	1	H=4300
	254128510010	Groove welding (inner)L=1015	内导槽焊合L=1015	1	H=4500
	22	254128510011	Groove welding (inner)L=1140	内导槽焊合L=1140	1
23	910300500003	Nut GB889.1-M6-10	螺母GB889.1-M6-10	1	
24	254128520059	Pulley frame	滑轮支板	1	
	254128520031	Hydraulic hose assembly 10-L2350-1S	液压管总成(直) 10-L2350-1SC-60°	2	H=2500/2700
	254128520052	Hydraulic hose assembly 10-L2650-1S	液压管总成(直) 10-L2650-1CS-60°	2	H=3000/3300
	254128520035	Hydraulic hose assembly 10-L2850-1S	液压管总成(直) 10-L2850-1CS-60°	2	H=3500/3700
	254128520037	Hydraulic hose assembly 10-L3150-1S	液压管总成(直) 10-L3150-1CS-60°	2	H=4000/4300
254128520039	Hydraulic hose assembly 10-L3250-1S	液压管总成(直) 10-L3250-1SC-60°	2	H=4500	
25	254128520040	Hydraulic hose assembly 10-L3500-1S	液压管总成(直) 10-L3500-1SC-60°	2	H=5000
26	910100300025	Bolt GB5783-M8x35-8.8	螺栓GB5783-M8x35-8.8	2	
27	255029020024	Joint 8-M16x1.5-60°	接头(锁定弯)8-2xM16x1.5-60°	2	
28	910800100042	Oring 13.6x2.4	O形圈-外13.6x2.4	2	
	254142520001	Hydraulic hose assembly (90°)10-L300-1S	液压管总成(90°) 10-L300-1SC-60°	2	
	255042510004	Side shifter assembly(LH)	侧移器总成(LH)	1	选装/optional
29	255042510001	Side shifter assembly(LD)	侧移器总成(LD)	1	选装/optional

252198501050 双附加管路 (二级全自由) / (two stage full free)



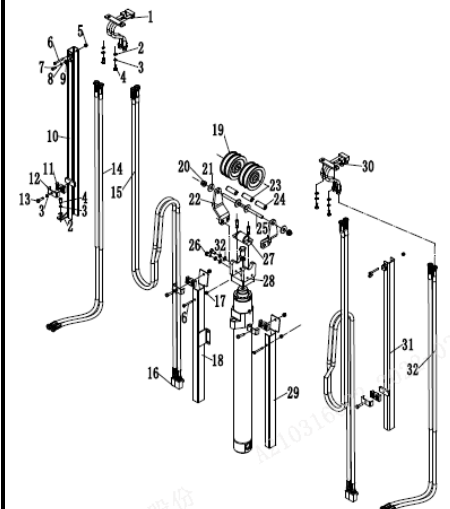
序号/NO	编码/SN	Name	名称	数量/QTY	备注/Remark
1	254129010001	Excessive pipe welding	过度钢管焊接	1	
2	910400100006	Washer GB97.1-8-200HV	平垫圈GB97.1-8-200HV	7	
3	910400500006	Washer GB93-8	弹簧垫圈GB93-8	13	
4	941100400001	Screw M8x20-8.8	螺钉M8x20-8.8	7	
5	910301300002	Nut GB17880.1-M6x16.5	螺母GB17880.1-M6x16.5	2	
6	910100300016	Blot GB5783-M6x50-8.8	螺栓GB5783-M6x50-8.8	4	
7	941100100009	Screw M6x12-8.8	螺钉M6x12-8.8	2	
8	910400100005	Washer GB97.1-6-200HV	平垫圈GB97.1-6-200HV	2	
9	910400500005	Washer GB93-6	弹簧垫圈GB93-6	2	
10	254129010002	Groove welding(outer) L=705	外导槽焊接L=705	2	H=2500
	254129010003	Groove welding(outer) L=805	外导槽焊接L=805	2	H=2700
	254129010004	Groove welding(outer) L=955	外导槽焊接L=955	2	H=3000
	254129010005	Groove welding(outer) L=1105	外导槽焊接L=1105	2	H=3300
	254129010006	Groove welding(outer) L=1205	外导槽焊接L=1205	2	H=3500
	254129010007	Groove welding(outer) L=1305	外导槽焊接L=1305	2	H=3700
	254129010008	Groove welding(outer) L=1505	外导槽焊接L=1505	2	H=4000
	254129010009	Groove welding(outer) L=1655	外导槽焊接L=1655	2	H=4300
	254129010010	Groove welding(outer) L=1755	外导槽焊接L=1755	2	H=4500
	254129010011	Groove welding(outer) L=2030	外导槽焊接L=2030	2	H=5000
11	255028520034	Pipe press fixedly piank	胶管固定块	4	
12	255028520035	Rubber pipe lump	安装板(管夹)	4	
13	910200200059	Screw GB70.1-M8x30-8.8	螺钉GB70.1-M8x30-8.8	4	
14	255023520036	Hydraulic hose assembly 10-L1800-1	液压管总成(直)10-L1800-1SC-60°	2	H=2500
	255028520016	Hydraulic hose assembly 10-L1930-1	液压管总成(直)10-L1930-1SC-60°	2	H=2700
	255030520711	Hydraulic hose assembly 10-L2090-1	液压管总成(直)10-L2090-1SC-60°	2	H=3000
	252030520016	Hydraulic hose assembly 10-L2220-1	液压管总成(直)10-L2220-1SC-60°	2	H=3300
	255031020009	Hydraulic hose assembly 10-L2340-1	液压管总成(直)10-L2340-1SC-60°	2	H=3500
	256531020701	Hydraulic hose assembly 10-L2430-1	液压管总成(直)10-L2430-1SC-60°	2	H=3700
	255030520004	Hydraulic hose assembly 10-L2610-1	液压管总成(直)10-L2610-1SC-60°	2	H=4000
	254131020006	Hydraulic hose assembly 10-L2750-1	液压管总成(直)10-L2750-1SC-60°	2	H=4300
254128520035	Hydraulic hose assembly 10-L2850-1	液压管总成(直)10-L2850-1SC-60°	2	H=4500	

252198501050 双附加管路 (二级全自由) / (two stage full free)



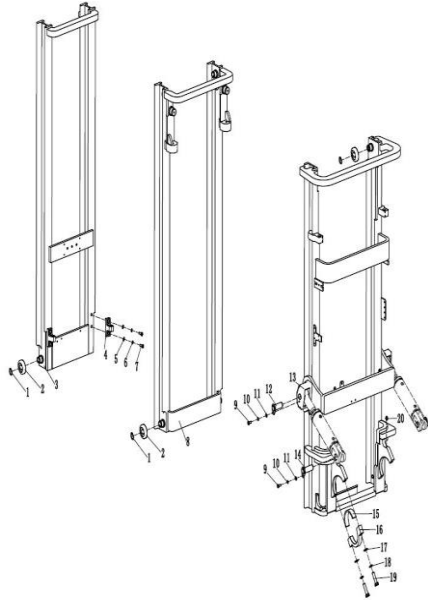
序号/NO	编码/SN	Name	名称	数量/QTY	备注/Remark
14	254130520002	Hydraulic hose assembly 10-L3110-1	液压管总成(直)10-L3110-1SC-60°	2	H=5000
15	254128520031	Hydraulic hose assembly 10-L2350-1	液压管总成(直)10-L2350-1SC-60°	4	H=2500/2700
	254128520052	Hydraulic hose assembly 10-L2650-1	液压管总成(直)10-L2650-1SC-60°	4	H=3000/3300
	254128520035	Hydraulic hose assembly 10-L2850-1	液压管总成(直)10-L2850-1SC-60°	4	H=3500/3700
	254128520037	Hydraulic hose assembly 10-L3150-1	液压管总成(直)10-L3150-1SC-60°	4	H=4000/4300
	254128520039	Hydraulic hose assembly 10-L3250-1	液压管总成(直)10-L3250-1SC-60°	4	H=4500
	254128520040	Hydraulic hose assembly 10-L3500-1	液压管总成(直)10-L3500-1SC-60°	4	H=5000
16	255029020024	Joint 8-2xM16x1.5-60°	接头(锁定弯)8-2xM16x1.5-60°	4	
17	910300500003	Nut GB889.1-M6-10	螺母GB889.1-M6-10	2	
18	254129010012	Groove welding (inner)L=515	内导槽焊合L=515	1	H=2500
	254129010013	Groove welding (inner)L=565	内导槽焊合L=565	1	H=2700
	254129010014	Groove welding (inner)L=640	内导槽焊合L=640	1	H=3000
	254129010015	Groove welding (inner)L=715	内导槽焊合L=715	1	H=3300
	254129010016	Groove welding (inner)L=765	内导槽焊合L=765	1	H=3500
	254129010017	Groove welding (inner)L=815	内导槽焊合L=815	1	H=3700
	254129010018	Groove welding (inner)L=890	内导槽焊合L=890	1	H=4000
	254129010019	Groove welding (inner)L=965	内导槽焊合L=965	1	H=4300
	254129010020	Groove welding (inner)L=1015	内导槽焊合L=1015	1	H=4500
	254129010021	Groove welding (inner)L=1140	内导槽焊合L=1140	1	H=5000
19	255030520021	pulleyΦ110x27	滑轮Φ110x27(单槽)	4	
20	910300500003	Nut GB889.1-M6-10	螺母GB889.1-M6-10	2	
21	910400200005	Washer GB96.1-12-200HV	大垫圈GB96.1-12-200HV	4	
22	254128520059	Pulley frame	滑轮支板	2	
23	254129020053	BushΦ18xΦ14x56	隔套Φ18xΦ14x56	1	
24	255030520022	BushΦ20xΦ13x56	衬套Φ20xΦ13x56	2	
25	254129020054	Axle	滑轮销轴	1	
26	910200200059	Screw GB70.1-M8x30-8.8	螺钉GB70.1-M8x30-8.8	4	
27	254143520056	Axle Φ40x91	轮轴Φ40x91	1	
28	254143510050	sprocket seat welded	链轮座焊合	1	
29	254128510002	Groove welding (inner)L=515	内导槽焊合L=515	1	H=2500
	254128510003	Groove welding (inner)L=565	内导槽焊合L=565	1	H=2700

252198501050双附加管路(二级全自由)/DOUBLE ADDITIONAL TUBE(two stage full free)



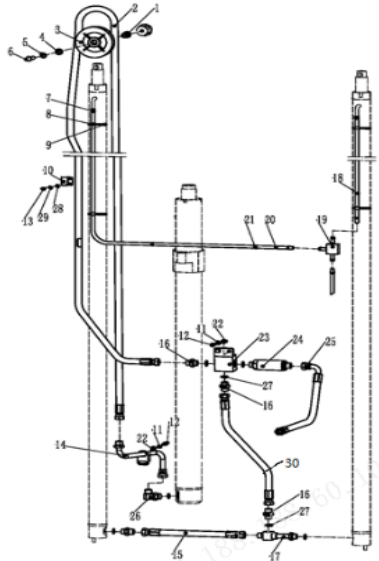
序号/NO	编码/SN	Name	名称	数量/QTY	备注/Remark
29	254128510004	Groove welding (inner)L=640	内导槽焊合L=640	1	H=3000
	254128510005	Groove welding (inner)L=715	内导槽焊合L=715	1	H=3300
	254128510006	Groove welding (inner)L=765	内导槽焊合L=765	1	H=3500
	254128510007	Groove welding (inner)L=815	内导槽焊合L=815	1	H=3700
	254128510008	Groove welding (inner)L=890	内导槽焊合L=890	1	H=4000
	254128510009	Groove welding (inner)L=965	内导槽焊合L=965	1	H=4300
	254128510010	Groove welding (inner)L=1015	内导槽焊合L=1015	1	H=4500
	254128510011	Groove welding (inner)L=1140	内导槽焊合L=1140	1	H=5000
30	254128510001	Excessive pipe welding	过度钢管焊合	1	
31	254128510012	Groove welding L=705	外导槽焊合L=705	1	H=2500
	254128510013	Groove welding L=805	外导槽焊合L=805	1	H=2700
	254128510014	Groove welding L=950	外导槽焊合L=950	1	H=3000
	254128510015	Groove welding L=1105	外导槽焊合L=1105	1	H=3300
	254128510016	Groove welding L=1205	外导槽焊合L=1205	1	H=3500
	254128510017	Groove welding L=1305	外导槽焊合L=1305	1	H=3700
	254128510018	Groove welding L=1505	外导槽焊合L=1505	1	H=4000
	254128510019	Groove welding L=1655	外导槽焊合L=1655	1	H=4300
	254128510020	Groove welding L=1755	外导槽焊合L=1755	1	H=4500
	254128510021	Groove welding L=2030	外导槽焊合L=2030	1	H=5000
32	255030520709	Hydraulic hose assembly 10-L1580-1	液压管总成(直)10-L1580-1SC-60°	2	H=2500
	281229020021	Hydraulic hose assembly 10-L1650-1	液压管总成(直)10-L1650-1SC-60°	2	H=2700
	252128521001	Hydraulic hose assembly 10-L1810-1	液压管总成(直)10-L1810-1SC-60°	2	H=3000
	263030520013	Hydraulic hose assembly 10-L1895-1	液压管总成(直)10-L1895-1SC-60°	2	H=3300
	255030520711	Hydraulic hose assembly 10-L2090-1	液压管总成(直)10-L2090-1SC-60°	2	H=3500
	252030520016	Hydraulic hose assembly 10-L2220-1	液压管总成(直)10-L2220-1SC-60°	2	H=3700
	263030520017	Hydraulic hose assembly 10-L2390-1	液压管总成(直)10-L2390-1SC-60°	2	H=4000
	281229020031	Hydraulic hose assembly 10-L2550-1	液压管总成(直)10-L2550-1SC-60°	2	H=4300
	255030520004	Hydraulic hose assembly 10-L2610-1	液压管总成(直)10-L2610-1SC-60°	2	H=4500
	252130520701	Hydraulic hose assembly 10-L2915-1	液压管总成(直)10-L2915-1SC-60°	2	H=5000

252198501051 门架(三级全自由)



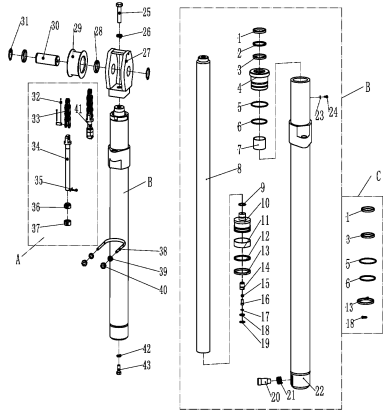
序号/NO	编码/SN	Name	名称	数量/QTY	备注/Remark
1	910401300018	Circlip GB894.1-35	轴用弹性挡圈GB894.1-35	8	
2	940200300049	Composite roller Φ 78.8 = 52.5-56.5	复合滚轮Φ 78.8-range=52.5-56.5(8	选装/optional
	940200300050	Composite roller Φ 79.1 = 52.5-56.5	复合滚轮Φ 79.1-range=52.5-56.5(8	选装/optional
	940200300032	Composite roller Φ 79.4 = 52.5-56.5	复合滚轮Φ 79.4-range=52.5-56.5(8	选装/optional
3	254144510001	Mast 4000	外门架焊合4000	1	H=4000
	254144510002	Mast 4350	外门架焊合4350	1	H=4350
	254144510003	Mast 4500	外门架焊合4500	1	H=4500
	254144510004	Mast 4800	外门架焊合4800	1	H=4800
	254144510005	Mast 5000	外门架焊合5000	1	H=5000
	254144510006	Mast 5500	外门架焊合5500	1	H=5500
	254144510007	Mast 6000	外门架焊合6000	1	H=6000
4	254144520030	Embrace hoop	内门架链条固定板	2	
5	910400100010	Washer GB97.1-16-200HV	平垫圈GB97.1-16-200HV	4	
6	910400500010	Washer GB93-16	弹簧垫圈GB93-16	4	
7	910100400028	Bolt GB5786-M16x1.5 x35-8.8	螺栓GB5786-M16x1.5x35-8.8	4	
8	254144510023	Mast 4000	中门架焊合4000	1	H=4000
	254144510024	Mast 4350	中门架焊合4350	1	H=4350
	254144510025	Mast 4500	中门架焊合4500	1	H=4500
	254144510026	Mast 4800	中门架焊合4800	1	H=4800
	254144510027	Mast 5000	中门架焊合5000	1	H=5000
	254144510028	Mast 5500	中门架焊合5500	1	H=5500
	254144510029	Mast 6000	中门架焊合6000	1	H=6000
9	910100300035	Bolt GB5783-M10x20-8.8	螺栓GB5783-M10x20-8.8	4	
10	910400500007	Washer GB93-10	弹簧垫圈GB93-10	4	
11	910400100007	Washer GB97.1-10-200HV	平垫圈GB97.1-10-200HV	4	
12	255044010057	Axle φ30x82	带耳轴φ30x82	2	
13	254144510037	Mast4000	内门架焊合4000	1	H=4000
	254144510038	Mast4350	内门架焊合4350	1	H=4350
	254144510039	Mast4500	内门架焊合4500	1	H=4500
	254144510040	Mast4800	内门架焊合4800	1	H=4800
	254144510041	Mast 5000	内门架焊合5000	1	H=5000

252198501052门架起升管路(三级全自由)/ Mast lifting pipeline(three stage full free lift)



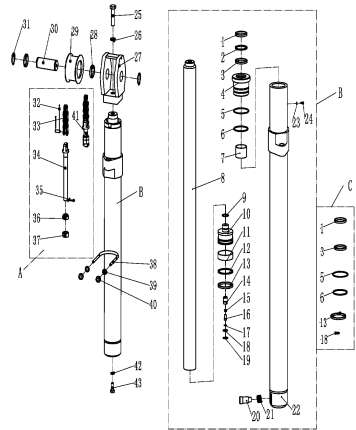
序号/NO	编码/SN	Name	名称	数量/QTY	备注/Remark
1	255044520081	Bushing	衬套(带肩) $\phi 20 \times \phi 13 \times 28$	1	
2	254144520041	Hydraulic hose assembly 12-L2900-2	液压管总成(直) 12-L2900-2CS-60	1	H=4000
	254144520042	Hydraulic hose assembly 12-L3150-2	液压管总成(直) 12-L3150-2CS-60	1	H=4350
	254144520043	Hydraulic hose assembly 12-L3250-2	液压管总成(直) 12-L3250-2CS-60	1	H=4500
	254144520044	Hydraulic hose assembly 12-L3450-2	液压管总成(直) 12-L3450-2CS-60	1	H=4800
	254144520045	Hydraulic hose assembly 12-L3650-2	液压管总成(直) 12-L3650-2CS-60	1	H=5000
	254144520046	Hydraulic hose assembly 12-L3950-2	液压管总成(直) 12-L3950-2CS-60	1	H=5500
	254144520047	Hydraulic hose assembly 12-L4350-2	液压管总成(直) 12-L4350-2SC-60	1	H=6000
3	255030520021	Pulley $\phi 110 \times 27$ (single groove)	滑轮 $\phi 110 \times 27$ (单槽)	1	
4	910400100008	Washer GB97.1-12-200HV	平垫圈GB97.1-12-200HV	1	
5	910400500008	Washer GB93-12	弹簧垫圈GB93-12	1	
6	910100300054	Bolt GB5783-M12x50-8.8	螺栓GB5783-M12x50-8.8	1	
7	255044020043	Hoop	弹性卡箍	6	
8	921600400001	Strip 4x250	扎带4x250	6	
9	255044020042	Hose press plate	软管压板	5	
10	255044520132	Tubing clamps	油管夹	4	
11	910400500006	Washer GB93-8	弹簧垫圈GB93-8	5	
12	910100300023	Bolt GB5783-M8x25-8.8	螺栓GB5783-M8x25-8.8	1	
13	910200200035	Bolt GB70.1-M6x16-8.8	螺栓GB70.1-M6x16-8.8	4	
14	254144510021	Medium um traist steel pipe	中缸过渡钢管	1	
15	254144020039	Hydraulic hose assembly 13-L345-2S	液压管总成(直) 13-L345-2SC-60°	1	
16	254144520040	Joint 10-M22x1.5-M18x1.5-60°	接头(直) 10-M22x1.5-M18x1.5-60°	3	
17	254144020038	Joint	接头(三通)	1	
18	▲	PE soft pipe $\phi 10 \times \phi 13$	PE软管 $\phi 10 \times \phi 13$	1	
19	251044020077	Joint	三通接头	1	
20	▲	PE soft pipe $\phi 10 \times \phi 13$	PE软管 $\phi 10 \times \phi 13$	1	
21	921600400003	Strip P/N 156-00646	带扣扎带 P/N 156-00646	2	
22	910400100006	Washer GB97.1-8-200HV	平垫圈GB97.1-8-200HV	3	
23	254144510022	Three joint welding	三通焊合	1	
24	950700300001	Speed limit valve	限速阀	1	
25	254144520048	Hydraulic hose assembly (90°) 15-L800-2S	液压管总成(90°) 15-L800-2SC-60°	1	

252198501053短升降油缸 (三级全自由) /Short lifting cylinder (three stage full free)



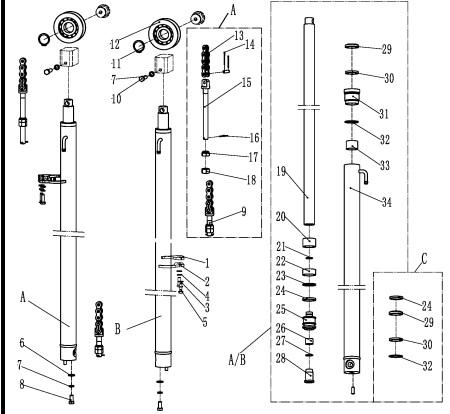
序号/NO	编码/SN	Name	名称	数量/QTY	备注/Remark
A	254144510014	Lifting chain LH1266-69	起升链条LH1266-69	2	H=4000
	254143510061	Lifting chain LH1266-71	起升链条LH1266-71	2	H=4350
	254144510015	Lifting chain LH1266-73	起升链条LH1266-73	2	H=4500
	254144510016	Lifting chain LH1266-75	起升链条LH1266-75	2	H=4800
	254144510017	Lifting chain LH1266-77	起升链条LH1266-77	2	H=5000
	254144540004	Lifting chain LH1266-81	起升链条LH1266-81	2	H=5500
	254143510063	Lifting chain LH1266-87	起升链条LH1266-87	2	H=6000
B	254144510030	Cylinder (M)(H=4000)	油缸 (M) (H=4000)	1	H=4000
	254144510031	Cylinder (M)(H=4350)	油缸 (M) (H=4350)	1	H=4350
	254144510032	Cylinder (M)(H=4500)	油缸 (M) (H=4500)	1	H=4500
	254144510033	Cylinder (M)(H=4800)	油缸 (M) (H=4800)	1	H=4800
	254144510034	Cylinder (M)(H=5000)	油缸 (M) (H=5000)	1	H=5000
	254144510035	Cylinder (M)(H=5500)	油缸 (M) (H=5500)	1	H=5500
C	254198510005	Seal kits (three stage full free lifting c	密封件修理包 (三级全自由中缸)	1	
1	▲	Dust ring	防尘圈	1	
2	▲	Catch 50x60x3	挡片50x60x3	1	
3	▲	Seal ring	轴用密封	1	
4	▲	Glide sleeve	导向套	1	
5	▲	O ring D75	O型密封圈D75	1	
6	▲	O ring D75	O型密封圈D70	1	
7	▲	Bearing5035	钢背轴承 5035	1	
8	▲	Piston rod	活塞杆	1	
9	▲	Circlip	钢丝挡圈	1	
10	▲	Piston assembly	活塞体	1	
11	▲	Support ring 70x20x3	支承环70x20x3	1	
12	▲	Catch 70x60x3	挡片70x60x3	1	
13	▲	Seal ring	孔用密封圈	1	
14	▲	Valve cover	阀套	1	
15	▲	Spring	弹簧	1	
16	▲	Valve plug	阀芯	1	

252198501053 短升降油缸 (三級全自由) / Short lifting cylinder (three stage full free)



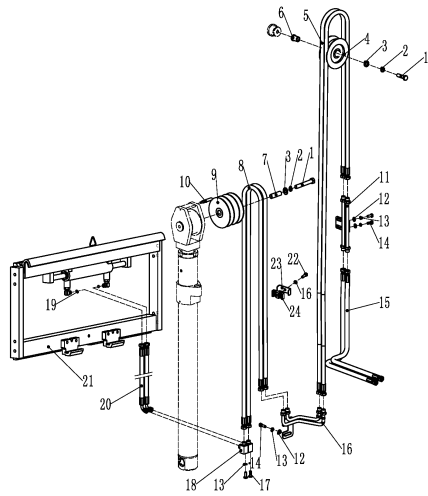
序号/NO	编码/SN	Name	名称	数量/QTY	备注/Remark
17	▲	Catch	挡片	1	
18	▲	O ring	O型密封圈D20x2.4	1	
19	▲	Circlip 22	挡圈 22	1	
20	▲	Slide valve	滑阀	1	
21	▲	Spring2.3x15x48.5	弹簧2.3x15x48.5	1	
22	▲	Cylinder	缸体	1	
23	▲	Spacer	垫片	1	
24	▲	Screw M5x5	内六角圆柱头螺钉M5x5	1	
25	910100300069	Bolt GB5783-M16x35-8.8	螺栓5783-M16x35-8.8	1	
26	910400500010	SpringWasherGB93-16	弹簧垫圈GB93-16	1	
27	254144510020	Chain wheel base	链轮座	1	
28	254144520029	Chain wheel washer	链轮垫圈	1	
29	940200500009	Chain wheel bearing 785208-00-φ95	链轮轴承785208-00-φ95xφ40x47	1	
30	254144520031	Chain wheel bearing	链轮轴	1	
31	910401300020	Circlip GB894.1-40	轴用弹性挡圈GB894.1-40	2	
32	910600600011	Split pin 2X12	开口销GB91-2x12	2	
33	910900400013	LH1266 chain	板式链GB6074-LH1266	1	
34	254143520070	Joint	链条螺栓M18x1.5x185.5	1	
35	910600600032	Split pin GB91-3.2x40	开口销GB91-3.2x40	2	
36	255044020158	Nut M18x1.5	球面螺母M18x1.5	2	
37	910300400007	Nut M18x1.5	螺母M18x1.5	2	
38	254144520032	Hydro cylinder fixed loop	油缸固定环	1	
39	910400500006	Spring Washer GB93-8	弹簧垫圈GB93-8	2	
40	910300100006	Bolt GB6170-M8-10	螺母GB6170-M8-10	2	
41	254143520071	Joint	短端接头	2	
42	910400500008	SpringWasherGB93-12	弹簧垫圈GB93-12	1	
43	910100400009	BoltGB5786-M12x1.25x25-8.8	螺栓GB5786-M12x1.25x25-8.8	1	

252198501054 起升油缸(三级全自由)/Lifting cylinder(three stage full free)



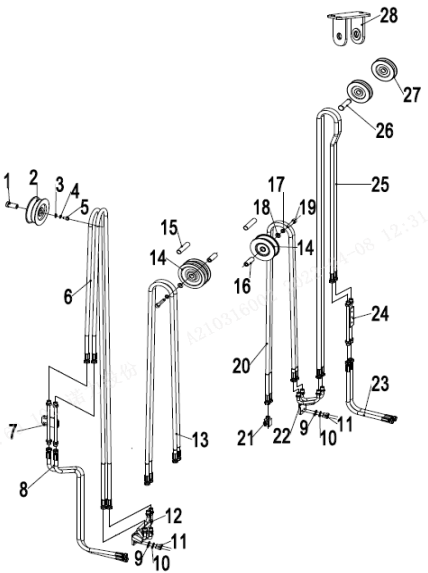
序号/NO	编码/SN	Name	名称	数量/QTY	备注/Remark
A	254144510044	Cylinder (L)(H=4000)	油缸 (L) (H=4000)	1	H=4000
	254144510045	Cylinder (L)(H=4350)	油缸 (L) (H=4350)	1	H=4350
	254144510046	Cylinder (L)(H=4500)	油缸 (L) (H=4500)	1	H=4500
	254144510047	Cylinder (L)(H=4800)	油缸 (L) (H=4800)	1	H=4800
	254144510048	Cylinder (L)(H=5000)	油缸 (L) (H=5000)	1	H=5000
	254144510049	Cylinder (L)(H=5500)	油缸 (L) (H=5500)	1	H=5500
	254144510050	Cylinder (L)(H=6000)	油缸 (L) (H=6000)	1	H=6000
B	254144510051	CyRinder (R)(H=4000)	油缸 (R) (H=4000)	1	H=4000
	254144510052	CyRinder (R)(H=4350)	油缸 (R) (H=4350)	1	H=4350
	254144510053	CyRinder (R)(H=4500)	油缸 (R) (H=4500)	1	H=4500
	254144510054	CyRinder (R)(H=4800)	油缸 (R) (H=4800)	1	H=4800
	254144510055	CyRinder (R)(H=5000)	油缸 (R) (H=5000)	1	H=5000
	254144510056	CyRinder (R)(H=5500)	油缸 (R) (H=5500)	1	H=5500
	254144510057	CyRinder (R)(H=6000)	油缸 (R) (H=6000)	1	H=6000
C	254198510003	Seal kits(three stage full free lifting cy	密封件修理包(三级全自由起升缸)	2	
D	252044510006	Lifting chainLH1234-95	起升链条LH1234-95	2	H=4000
	251244014003	Lifting chainLH1234-101	起升链条LH1234-101	2	H=4350
	252144014003	Lifting chainLH1234-105	起升链条LH1234-105	2	H=4500
	251244014004	Lifting chainLH1234-109	起升链条LH1234-109	2	H=4800
	251244514005	Lifting chainLH1234-115	起升链条LH1234-115	2	H=5000
	252144014002	Lifting chainLH1234-123	起升链条LH1234-123	2	H=5500
	252144014006	Lifting chainLH1234-133	起升链条LH1234-133	2	H=6000
	1	254144520093	Inner hoop	内抱箍	2
2	254144520092	Outer hoop	外抱箍	2	
3	910400500007	Washer GB93-10	弹簧垫圈GB93-10	4	
4	910400100007	Washer GB97.1-10-200HV	平垫圈GB97.1-10-200HV	4	
5	910100300037	BoltM10x30	螺栓GB5783-M10x30-8.8	4	
6	910400100008	Washer GB97.1-12-200HV	平垫圈GB97.1-12-200HV	2	
7	910400500008	Washer GB93-12	弹簧垫圈GB93-12	4	
8	910100400009	Bolt GB5786-M12x1.25x25-8.8	螺栓GB5786-M12x1.25x25-8.8	2	
9	251244020101	Chain bolt M16x1.5-85	链条螺栓M16x1.5x85	2	

252198501055 侧移器及管路安装(三级全自由)/Side shifter and pipeline installation(three stage full free)



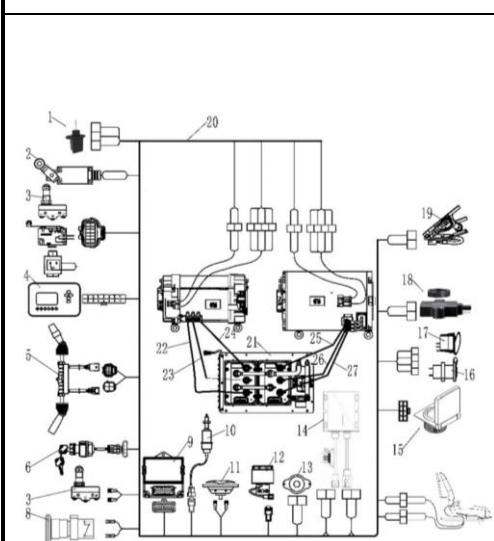
序号/NO	编码/SN	Name	名称	数量/QTY	备注/Remark
1	910100300054	BoltGB5783-M12x80-8.8	螺栓GB5783-M12x80-8.8	1	
2	910400500008	Washer GB93-12	弹簧垫圈GB93-12	1	
3	910400200005	Washer GB96.1-12-200HV	大垫圈GB96.1-12-200HV	2	
4	255030520020	Pulley	滑轮	1	
5	255030520001	Hydraulic hose assembly10-L2060-1	液压管总成(直)10-L2060-1SC-60°	1	H=4000
	255030520002	Hydraulic hose assembly 10-L2310-1	液压管总成(直)10-L2310-1SC-60°	1	H=4350
	255030520003	Hydraulic hose assembly10-L2410-1	液压管总成(直)10-L2410-1SC-60°	1	H=4500
	255030520004	Hydraulic hose assembly 10-L2610-1	液压管总成(直)10-L2610-1SC-60°	1	H=4800
	254130520001	Hydraulic hose assembly 10-L2810-1	液压管总成(直)10-L2810-1SC-60°	1	H=5000
	254130520002	Hydraulic hose assembly 10-L3110-1	液压管总成(直)10-L3110-1SC-60°	1	H=5500
	254130520003	Hydraulic hose assembly 10-L3510-1	液压管总成(直)10-L3510-1SC-60°	1	H=6000
6	254130520016	Bush φ 20x φ 13x43	衬套 φ 20x φ 13x43	1	
7	255030520022	Bush φ 22x φ 13x56	衬套 φ 22x φ 13x56	1	
8	254130520004	Hydraulic hose assembly10-L1795-1	液压管总成(直)10-L1795-1SC-60°	2	H=4000
	254130520005	Hydraulic hose assembly10-L1890-1	液压管总成(直)10-L1890-1SC-60°	2	H=4350
	255030520025	Hydraulic hose assembly10-L1940-1	液压管总成(直)10-L1940-1SC-60°	2	H=4500
	254130520006	Hydraulic hose assembly10-L2040-1	液压管总成(直)10-L2040-1SC-60°	2	H=4800
	254130520007	Hydraulic hose assembly10-L2140-1	液压管总成(直)10-L2140-1SC-60°	2	H=5000
	255030520002	Hydraulic hose assembly10-L2310-1	液压管总成(直)10-L2310-1SC-60°	2	H=5500
	254130520009	Hydraulic hose assembly10-L2470-1	液压管总成(直)10-L2470-1SC-60°	2	H=6000
9	255030520021	Pulley φ110x27	滑轮 φ 110x27(单槽)	2	
10	254130520014	Pulley pole	滑轮挡杆	1	
11	255030520018	Hydraulic steel pipe welding	液压钢管焊合	1	
12	910400100006	Washer GB97.1-8-200HV	平垫圈GB97.1-8-200HV	3	
13	910400100006	Washer GB93-8	弹簧垫圈GB93-8	5	
14	910100300022	Bolt GB5783-M8x20-8.8	螺栓GB5783-M8x20-8.8	3	
15	252130520004	Hydraulic hose assembly 10-L1120-1	液压管总成(直)10-L1120-1SC-60°	2	
16	254130510001	Sideway steel pipe	侧移钢管	1	
17	910200200059	Screw GB70.1-M8x35-8.8	螺钉GB70.1-M8x35-8.8	2	
18	255029020024	Joint 8-M16x1.5-60°	接头(锁定弯)8-2xM16x1.5-60°	2	
19	910800100042	Oring 13.6x2.4	O形圈-外13.6x2.4	2	

252198501056 双附加管路(三级全自由)/DOUBLE ADDITIONAL TUBE(three stage full free)



序号/NO	编码/SN	Name	名称	数量/QTY	备注/Remark
1	254130520016	Bush Φ20xΦ13x43	衬套Φ20xΦ13x43	1	
2	255030520020	Pulley Φ120x42	滑轮Φ120x42(双槽)	1	
3	910400200005	Washer GB96.1-12-200HV	大垫圈GB96.1-12-200HV	3	
4	910400500008	WasherGB93-12	弹簧垫圈GB93-12	3	
5	910100100048	Bolt GB5782-M12x50-8.8	螺栓GB5782-M12x50-8.8	3	
6	255030520001	Hydraulic hose assembly 10-L2060-1	液压管总成(直)10-L2060-1SC-60°	2	H=4000
	255030520002	Hydraulic hose assembly 10-L2310-1	液压管总成(直)10-L2310-1SC-60°	2	H=4350
	255030520003	Hydraulic hose assembly 10-L2410-1	液压管总成(直)10-L2410-1SC-60°	2	H=4500
	255030520004	Hydraulic hose assembly 10-L2610-1	液压管总成(直)10-L2610-1SC-60°	2	H=4800
	254130520001	Hydraulic hose assembly 10-L2810-1	液压管总成(直)10-L2810-1SC-60°	2	H=5000
	254130520002	Hydraulic hose assembly 10-L3110-1	液压管总成(直)10-L3110-1SC-60°	2	H=5500
	254130520003	Hydraulic hose assembly 10-L3510-1	液压管总成(直)10-L3510-1SC-60°	2	H=6000
7	255030520018	Hydraulic steel pipe welding 1	液压钢管焊合1	1	
8	252130520004	Hydraulic hose assembly 10-L1120-1	液压管总成(直)10-L1120-1SC-60°	2	
9	910400100006	Washer GB97.1-8-200HV	平垫圈GB97.1-8-200HV	8	
10	910400500006	WasherGB93-8	弹簧垫圈GB93-8	8	
11	910100300022	Bolt GB5783-M8x20-8.8	螺栓GB5783-M8x20-8.8	8	
12	255030520019	Hydraulic steel pipe welding 2	液压钢管焊合2	1	
13	255028520015	Hydraulic hose assembly 10-L1770-1	液压管总成(直)10-L1770-1SC-60°	2	H=4000
	254130520005	Hydraulic hose assembly 10-L1890-1	液压管总成(直)10-L1890-1SC-60°	2	H=4350
	255030520025	Hydraulic hose assembly 10-L1940-1	液压管总成(直)10-L1940-1SC-60°	2	H=4500
	254130520006	Hydraulic hose assembly 10-L2040-1	液压管总成(直)10-L2040-1SC-60°	2	H=4800
	254130520007	Hydraulic hose assembly 10-L2140-1	液压管总成(直)10-L2140-1SC-60°	2	H=5000
	255030520002	Hydraulic hose assembly 10-L2310-1	液压管总成(直)10-L2310-1SC-60°	2	H=5500
	254130520009	Hydraulic hose assembly 10-L2470-1	液压管总成(直)10-L2470-1SC-60°	2	H=6000
14	255030520021	Pulley Φ110x27	滑轮Φ110x27(单槽)	4	
15	254130520014	Pulley pole	滑轮挡杆	2	
16	255030520022	BushΦ20xΦ13x56	衬套Φ20xΦ13x56	1	
17	910100100058	Bolt GB5782-M12x100-8.8	螺栓GB5782-M12x100-8.8	1	
18	910400200005	Washer GB96.1-12-200HV	大垫圈GB96.1-12-200HV	2	
19	910100100056	Bolt GB5782-M12x90-8.8	螺栓GB5782-M12x90-8.8	1	

255098501045 电器系统/ELECTRONIC



序号/NO	编码/SN	Name	名称	数量/QTY	备注/Remark
1	921800100027	Sensor	传感器999666-94810AAA	1	Opiton
2	920200600010	Limit switch CZ-3108	限位开关CZ-3108	1	Opiton
3	920200300004	Micro Switch (RZ-15GQ22-B3)	微动开关RZ-15GQ22-B3	6	
4	921100100063	Display (3401T-12-96V)	仪表3401T-12-96V	1	配Curtis系统
	921100100154	Display IDD-E-35CD17B (D35C-R)	智能仪表D35C-R	1	配ACM系统
	921100100155	Display IDD-E-35CD17B (D36C-R)	智能仪表D36C-R	2	配Inmotion系统
5	256733012002	Combination switch JK361CXNL/3-000	组合开关JK361CXNL/3-0000	1	2024年后改为该配置
	920200800013	Combination switch JK361CXNL/1	组合开关JK361CXNL/1	1	2024年前为该配置
6	920200200031	Key	钥匙开关(一档双路)	1	双档单配
8	920200100020	Emergency StopSwitch (GSLA5-22PN-4)	急停开关GSLA5-22PN-40-G01/R	1	
9	251233020001	Integrated electrical box	集成电器盒	1	Curtis/ACM使用
	921400100201	Control box WSM-DCDQH-012	控制盒WSM-DCDQH-012	1	比例阀用
10	920201000002	Brake switch	脚踏开关JK231	1	
11	920500100001	Horn (125-DC24V)	喇叭125-DC24V	1	
12	920500100002	Buzzer (DJB-24B)	喇叭蜂鸣器DJB-24B	1	
13	920500100008	Horn (HYDZ-24V)	喇叭蜂鸣器HYDZ-24V	1	
14	921900100017	DC-DC80V/24V	转换器WDC300N1	1	
15	920200200075	Fingerprint unlock FUC-B2	FUC-B2指纹解锁器	1	Opiton
16	921900100026	USB-YC-A93	USB-YC-A93	1	Opiton
17	920200800020	Warp Switch (YB-nuoli-003)	翘板开关YB-nuoli-003	1	Opiton
18	921800200007	Angle potentiometer	转角电位器	1	Opiton
	921700100005	Accelerator (FZ3-132-133)	加速器FZ3-132-133	1	配Curtis/ACM/松正系统
	921700100015	Accelerator (JCH2-5L)	加速器JCH2-5L	1	配Inmotion系统
20	252133213000-S03	Controller Assembly (ACM-4P20QC)	电控组件 (ACM-4P20QC)	1	配ACM系统
	252133212000-S11	Controller Assembly (Inmotion-4P20QC)	电控组件 (Inmotion-4P20QC)	1	配Inmotion系统
	252133211000-S00	Controller Assembly (Curtis-F-4P20QC)	电控组件 (Curtis F-4P20QC)	1	配Curtis-F系统
	252133211002-S00	Controller Assembly (Curtis-F-4P20QC)	电控组件 (Curtis F-4P20QC比例阀)	1	比例阀用
21	252133010026	Control harness (ACM-4P20QC)	车身线束 (ACM系统-4P20QC)	1	配ACM系统
21	252133010029	Control harness (Inmotion系统-4P20QC)	车身线束 (Inmotion系统-4P20QC)	1	配Inmotion系统
	252133010024	Control harness (Curtis系统-4P20QC)	车身线束 (Curtis系统-4P20QC)	1	配Curtis/Curtis-F
	252133010032	Control harness (Curtis-F-比例阀-4P20QC)	车身线束 (Curtis-F-比例阀-4P20QC)	1	比例阀用

翘板开关YB-nuoli-003
转角电位器
加速器FZ3-132-133
加速器JCH2-5L

